

SPECIFICATION

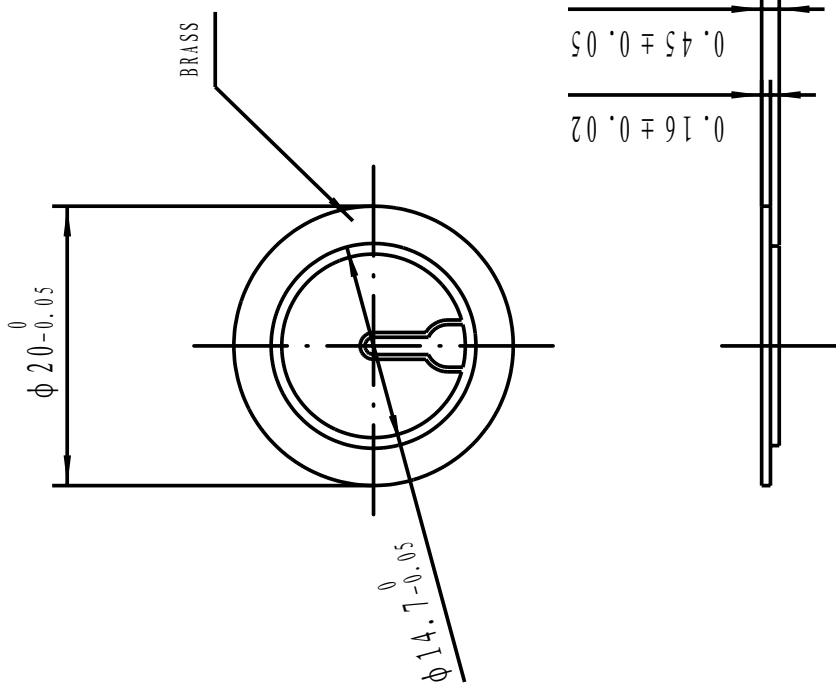
1. SCOPE

This specification is applied to the piezo-element.

2. SPECIFICATION (at 25°C)

- 2.1 Resonant Frequency : 6.7 ± 0.5 KHz
- 2.2 Resonant Resistace : 500 Ω max
- 2.3 Capacitance : 12000 pF ± 30% at 100Hz
- 2.4 Input Voltage : 30 Vp-p max
- 2.5 Operating Temperature : -20 ~ +50 °C
- 2.6 Storage Temperature : -20 ~ +60 °C

3. DIMENSION as per figure



TOLERANCES UNLESS NOTED OTHERWISE

- .X ±
- .XX ±
- .XXX ±

90° FORMED +2°
ANGLES -1°

FIRST ANGLE PROJECTION



TOLERANCES UNLESS NOTED OTHERWISE .X ± .XX ± .XXX ± 90° FORMED +2° ANGLES -1°		SIGN	DATE	KEPO MODEL NO.	CUSTOMER
		PREP.	04.07.27	FT-20T-6.7B1	CUSTOMER NO.
		ENG.		DWG NO.	
		QA.		E0.845.004G	REV 1.1 SHEET
		PROJ.		CONTRACT NO.	UNIT: mm SCALE
		AGENCY APPROVAL		DSW	
				TEL: (+86)574-27861829 FAX: (+86)574-87264906	