

# **DSW928N**

## Smoke Alarm Using Instruction

The product is a new type of photoelectric smoke alarm, When it detects smoke twice, it will output signal immediately and trigger connected unit to work, which tell you in advance that fire will occurs and avoid unwanted loss, and take you safety and convenience.

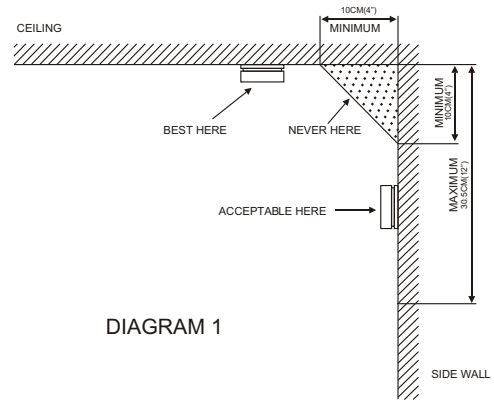
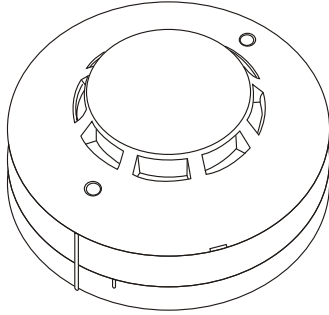
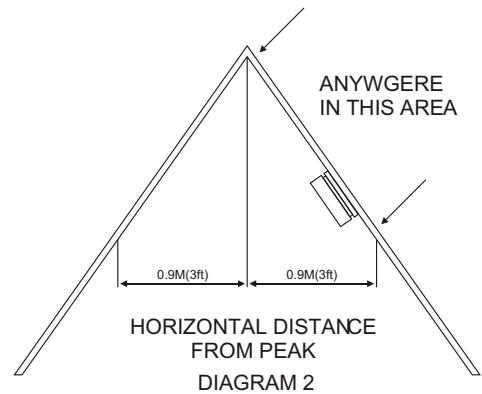


DIAGRAM 1



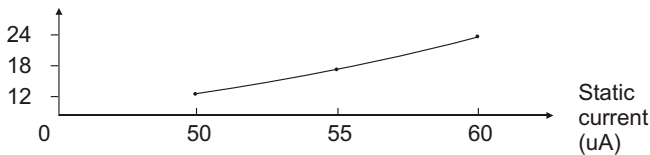
HORIZONTAL DISTANCE FROM PEAK  
DIAGRAM 2

### **SPECIFICATION**

**Power supply:** DC12V-DC24V

**Static current** (like following diagram):

Voltage(V/DC)



**Working current:** 16mA-17mA

**Detecting time:** detect once every about 5s

**Detecting smoke method:** it works only when it detects smoke twice.

### **WHERE FIT TO INSTALL SMOKE ALARM**

At first, you need install one item in every bedroom and route way at least.

Stairway is important for you to rush out when fires occur, so there must install smoke detector on the top of stairway.

You at least require one smoke alarm in every space of every floor, including finished attics and basements.

Install one alarm beside every electric facility.

You'd better Install smoke alarms in the middle of ceiling, because smoke always spread up;

If some reasons cause you can't install them in the middle of ceiling, you also need to install them at least 10cm away from the wall.

If you like to install them on the wall, they should be installed 10-30.5cm away under the ceiling. Diagram 1.

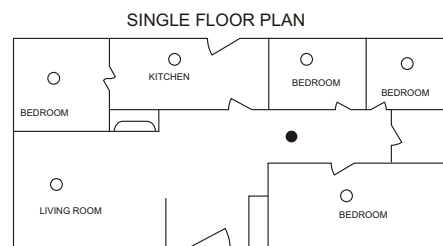
You need install more than one alarm when the length of your hall exceeds 9m.

In an oblique roof room, install the alarm 0.9m away from the top. Diagram 2.

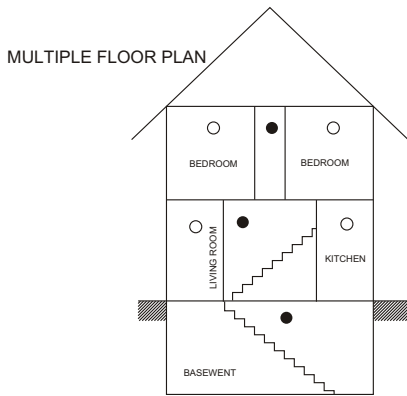
How to install smoke alarms in a removable house. The removable house is short of heat isolation, so you'd better install the alarm 10-30.5cm away from the ceiling.

### **WHERE NOT FIT TO INSTALL SMOKE ALARM**

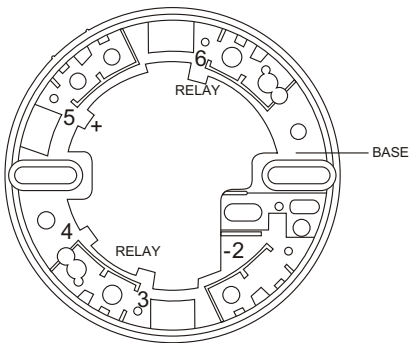
1. Where combustion are permitted to produce. For example unventilated kitchens, garages, and furnace;
2. near fanner;
3. In very damp, humid or steamy areas: Keep units at least 3m away from showers saunas, dishwashers, etc.
4. In very dusty, dirty, or greasy areas;
5. In very drafty areas, where smoke will be blown away from the unit completely,
6. in air-logged areas, that will clog the sensing chamber;
7. Less than 305mm away from fluorescent lights. Electrical "noise" can interfere with the sensor.
8. In "dead air" space, for example, in Diagram 1, near the corner less than 10cm.
9. in smoking meeting room, don't install the alarm there for the unit will alarm when several persons smoke.



- SMOKE ALARM FOR MINIMUM PROTECTION
- SMOKE ALARM FOR ADDITIONAL PROTECTION



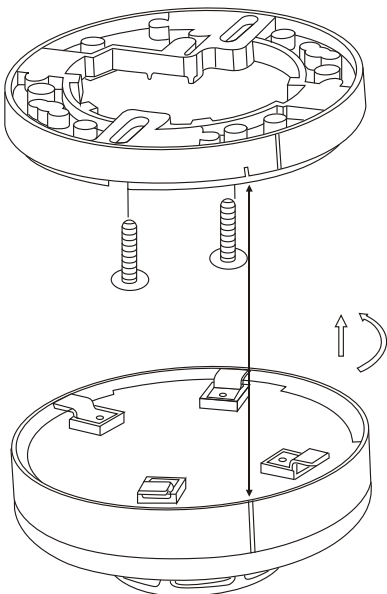
**CONNECTION-WIRE DIAGRAM**



- ① Terminal 5 connect "+"
- ② Terminal 2 connect "-"
- ③ Terminal 6 and 3(4) - relay output terminal.

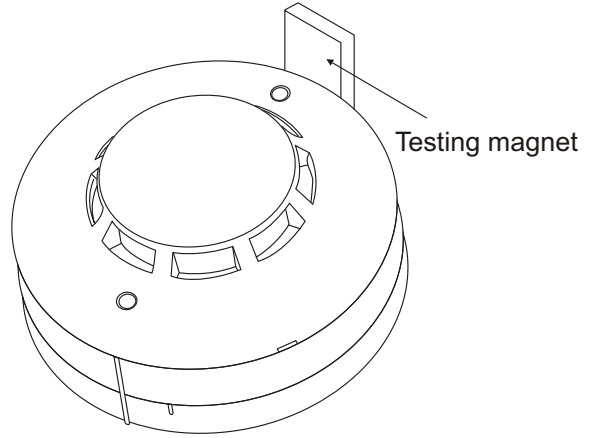
**CONNECTION-WIRE DIAGRAM**

1. Press and hold the base and turn it counterclockwise, take down base;
2. According to the number mark on base and connection-wire diagram, connect wire to Number corresponding screw with gasket;
3. Fix the base on the selected position;
4. Cover the alarm body: make the short line on the base aim at the 10ng line on alarm body and turn clockwise until the long line on base aim at the long line on alarm body.



**TEST**

- \* Switch on power, the indicator should flash once every about 5s;
- \* Use magnet to attract inner pole reed pipe on the opposite position of indicator;
- \* After the indicator flashes twice to three times, it should always light;
- \* If the indicator doesn't always light, please check if the magnet using is correct.



**REGULAR MAINTENANCE**

1. Test it at least once a week.
2. Clean the smoke alarm at least once a month. Gently vacuum off dust using vacuum's soft brush attachment;
3. Never use water, cleansers to clean your smoke alarm since they may damage the unit.

**LIMITATION OF SMOKE ALARM**

It can only tell us that fire will occur so that you can deal with the fire in time and have more time avoiding great loss. It is not safe absolutely, because it can not detect smoke absolutely, during smoke appear if there is block to obstruct smoke or smoke is taken off by air current, smoke will not reach the smoke alarm. It is not fire extinguisher and also can not sense fire, so you should have the fire-fighting devices to help.

**WHAT TO DO WHEN FIRE OCCUR**

- Dial telephone to the fire control office.
- Don't feel panic, keep calm. Go through the route way planned in advanced and leave As quickly as possible, don't waste much time to take things.
- Feel whether the door is hot or not. If hot, don't open the door; if not, you also should revert the flame in and you can choose other route way to flee.
- With wet towel cover your mouth and nose, don't inbreathe smoke.
- After fleeing out ,gather in the indicated place and ensure person is not injured or dead.