



EAS-190B

Code: E5.840.016

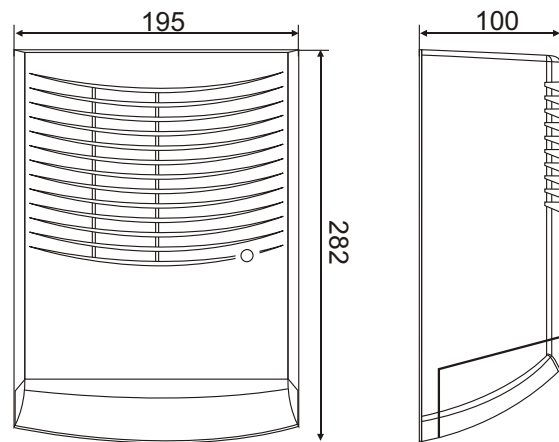
Siren with flash light

- Multi tone sounder with flash light
- High sound power
- Selector for lamp or xenon
- Outdoor use
- 14 V power supply
- Alarm by main power failure
- Protecting against totally battery discharge
- Plug Terminal for easy Installation
- CE approved

The siren is a new generation of professional high power acoustic siren with battery back-up and flashlight, which include all performance and reliability for security alarm system. Outdoor battery back-up siren with flashlight. Double housing: External - 3mm plastic ABS and PC with UV, Internal - 0.8mm metal. Excellent quality/price ratio.

GENERAL SPECIFICATIONS

Housing material	Thermoplastic, white ABS with Anti-UV
Cover material	Thermoplastic, red color or amber PC
Connection type	(4) terminals for shunting
Sound pressure	118dB/1m Min
Operating temperature	-5°C to +50°C
Protection degree	IP 60
Approval	CE
Protection	Metal case
Standard equipment	Dual anti-tampering switch
Packaging	1 pcs./package



ORDER CODES

Model No.	Rated Voltage	Rated Current	Acoustic Output @ 1m	Light	Multi Function LED	Flashlight Frequency	Color	Package Weight	Order Code	Notes
EAS-190B Lamp Red	14VDC	1.4A	118dB	Red Lamp	Yes	80/min	Red	1.5kg	E5.480.016.01	
EAS-190B Lamp Amber	14VDC	1.4A	118dB	Amber Lamp	Yes	80/min	Amber	1.5kg	E5.480.016.02	
EAS-190B Xenon Red	14VDC	1.4A	116dB	Red Xenon	Yes	115/min	Red	1.5kg	E5.480.016.03	
EAS-190B Xenon Amber	14VDC	1.4A	118dB	Amber Xenon	Yes	115/min	Amber	1.5kg	E5.480.016.04	

* With MCU function
 * More details, see installation manuals
 * Provided writings: Order more than 1000pcs, logo available

ACCESSORIES AVAILABLE

Code	Description
EB1212	Rechargeable battery 12V 1.3Ah
EB1207	Rechargeable battery 12V 7.2Ah