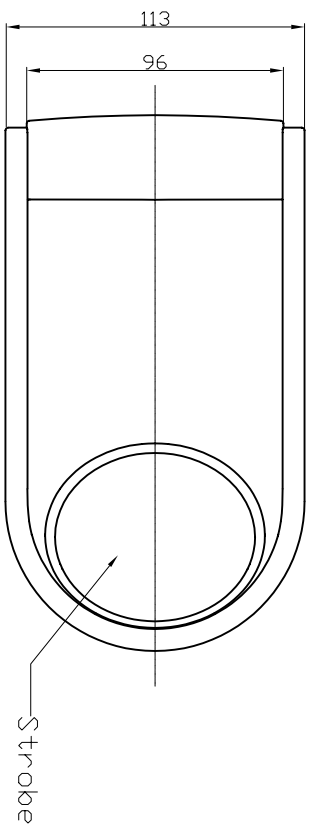
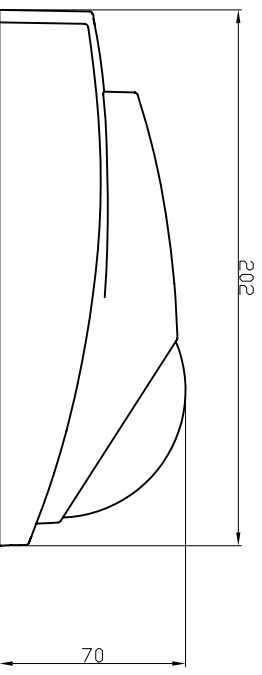
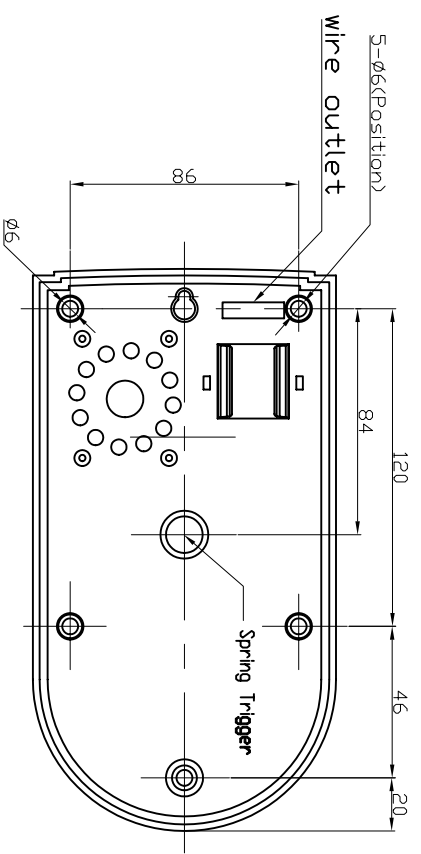


Specification (Test Condition, 25°C)

1. Housing Material/ Color ABS / White(UV Resistance)
Strobe Light Blue/Red
2. Rated Voltage 12 VDC
3. Range Voltage 9--15 VDC
4. S.P.L. 112±3 dB(at 1 meter, 12VDC)
5. Tone Nature Piezo Siren
6. Current Draw 200 mA Max. (at 12 VDC)
7. Flashes 70/Minute
8. Strobe light current Draw 260 mA Max(at 12VDC)
9. Strobe light Resonant Frequency 3.4K Hz
10. Operating life 24Hours Continuous Duty at 12VDC
11. Load Test 8 Hours (at 12 VDC)
12. Heat Test 8 Hours (at 85°C)
13. Operating Temperature range -20 ~ +85°C
14. Weight 295 ±20 g



No.		DESCRIPTION	APPROVED	DATE	UNIT	
No.		DESCRIPTION	APPROVED	DATE	SCALE	
No.		DESCRIPTION	APPROVED	DATE	NOT TO SCALE	
No.		DESCRIPTION	APPROVED	DATE	VER	
No.		DESCRIPTION	APPROVED	DATE	1.0	
No.		DESCRIPTION	APPROVED	DATE	E5.840.009	
No.		DESCRIPTION	APPROVED	DATE	EAS-2011	
No.		DESCRIPTION	APPROVED	DATE	Outdoor Siren(Piezo)	
No.		DESCRIPTION	APPROVED	DATE	DSW	
No.		DESCRIPTION	APPROVED	DATE	NINGBO DSW AUDIO & SECURITY EQUIPMENT	
No.		DESCRIPTION	APPROVED	DATE	http://www.dswbrand.com fax:+86(574)87264906	
No.		DESCRIPTION	APPROVED	DATE	DRAWN	
No.		DESCRIPTION	APPROVED	DATE	CHECKED	
No.		DESCRIPTION	APPROVED	DATE	FIRST ANGLE PROJECTION	



EAS-2011

Code: E5.840.009

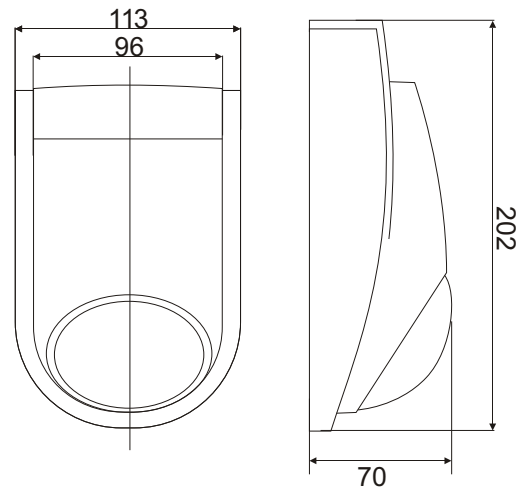
Sounder with Xeno flashlight

- Dual-tone sounder with flashlight
- High sound power
- Xeno lamp
- Outdoor use
- 12 power supply
- Red or white color

Single-tone piezoelectric sounder with high acoustic power and high-visibility Xeno flashlight. Its classic and functional aesthetics is suitable for Residential, commercial and industrial environments. Micro-switch protection against cover opening. Connection with 6-terminal board (2 for sounder, 2 for flashlight, 2 for anti-tampering) and jumper for tamper different connection configurations. The flashlight cover is optionally available in orange and blue and red color.

GENERAL SPECIFICATIONS

Housing material	Thermoplastic, ABS white color
Cover material	Thermoplastic, red or blue color
Connection type	(6) terminals
Dual tone frequency	3400Hz ± 10%
Operating temperature	-20°C to +60°C
Protection degree	IP 60
Standard equipment	Anti-tampering micro-switch
Packaging	1 pcs./package



ORDER CODES

Model No.	Rated Voltage	Rated Current	Acoustic Output @ 1m	Lamp	Flashlight Frequency	Color	Package Weight	Order Code	Notes
EAS-2011-12 Red	12VDC	200mA	110dB	Xeno flashtube	70/min	Red	0.3kg	E5.480.009.01	Red
EAS-2011-12 Blue	12VDC	200mA	110dB	Xeno flashtube	70/min	Blue	0.3kg	E5.480.009.02	Blue
EAS-2011BAT Red	12VDC	200mA	110dB	Xeno flashtube	70/min	Red	0.3kg	E5.480.009.03	With battery
EAS-2011BAT Blue	12VDC	200mA	110dB	Xeno flashtube	70/min	Blue	0.3kg	E5.480.009.04	With battery

* Provided writings: Order more than 1000pcs, logo available
 * Rechargeable battery NiCd 8.4V, 280mAh

ACCESSORIES AVAILABLE

Code	Description
EB8V280	NiCd 8.4V, 280mAh