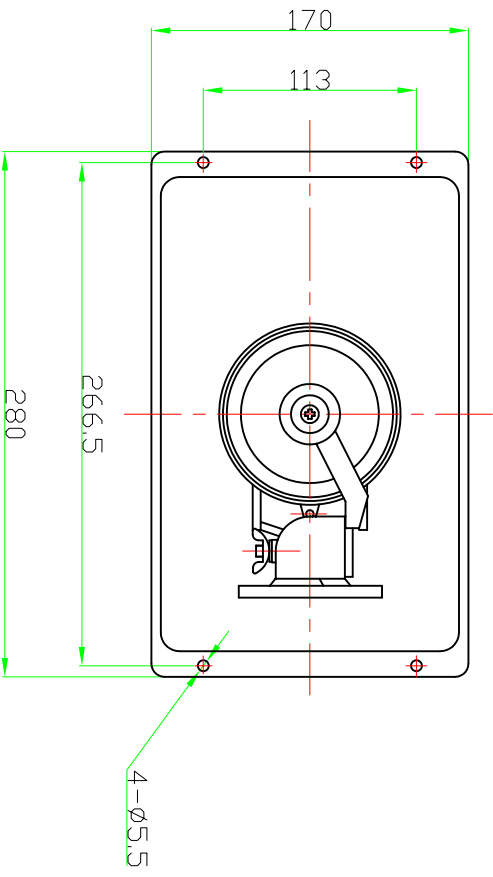
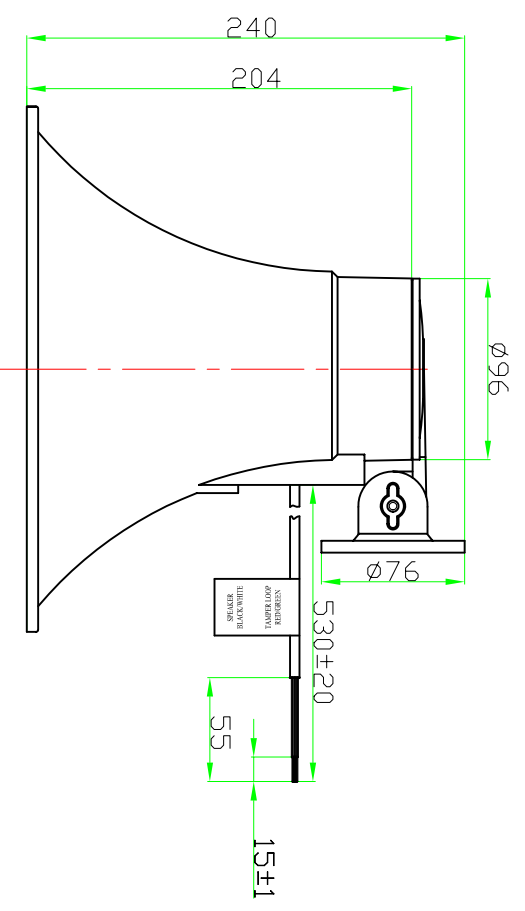


Specification (Test Condition, 25°C)



- 1. Housing Material /Color ABS/White
- 2. Voice Coil Impedance 8 Ohm (at 1 KHz)
- 3. Voice Coil Dimension Ø 38 mm(Dia.)
- 4. Magnet Size Ø90*50*15 mm(Dia.* dia.*H)
- 5. Power Rating RMS 30 W
- 6. Power Rating Peak 40 W
- 7. Frequency Range 350-6000Hz
- 8. Resonant Freq. Fo. 1.0 KHz ±10%
- 9. S.P.L. 110±3 dB (at 1 meter, 2.83V)
- 10. Wires Connection Black,white --- Speaker (Nonpolarized)
..... Red,Green--Tamper (No polarity)
- 11. Weight 1510 ±10 g

No.		DESCRIPTION		APPROVED	DATE	DSW NINGBO DSW AUDIO & SECURITY EQUIPMENT http://www.dswbrand.com	
DESIGNER		DRAWN		APPROVALS	DATE	Home Speaker EH-280-8	
CHECKED		DWC/NO		CHECKED	DATE	UNIT mm SCALE NOT TO SCALE SHEET E3,840,006 VER 1.0	
FIRST ANGLE PROJECTION		APPROVED		APPROVED	04.02.10		