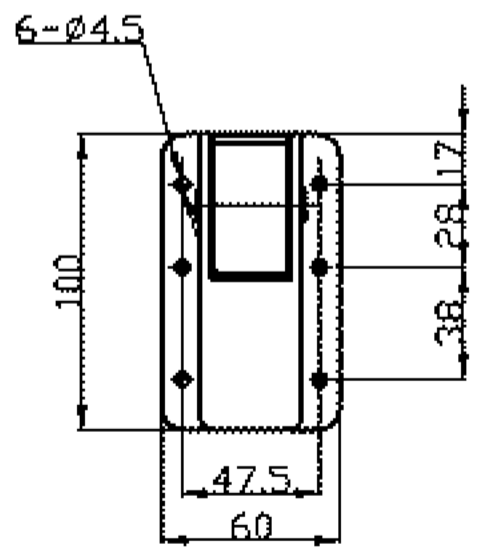
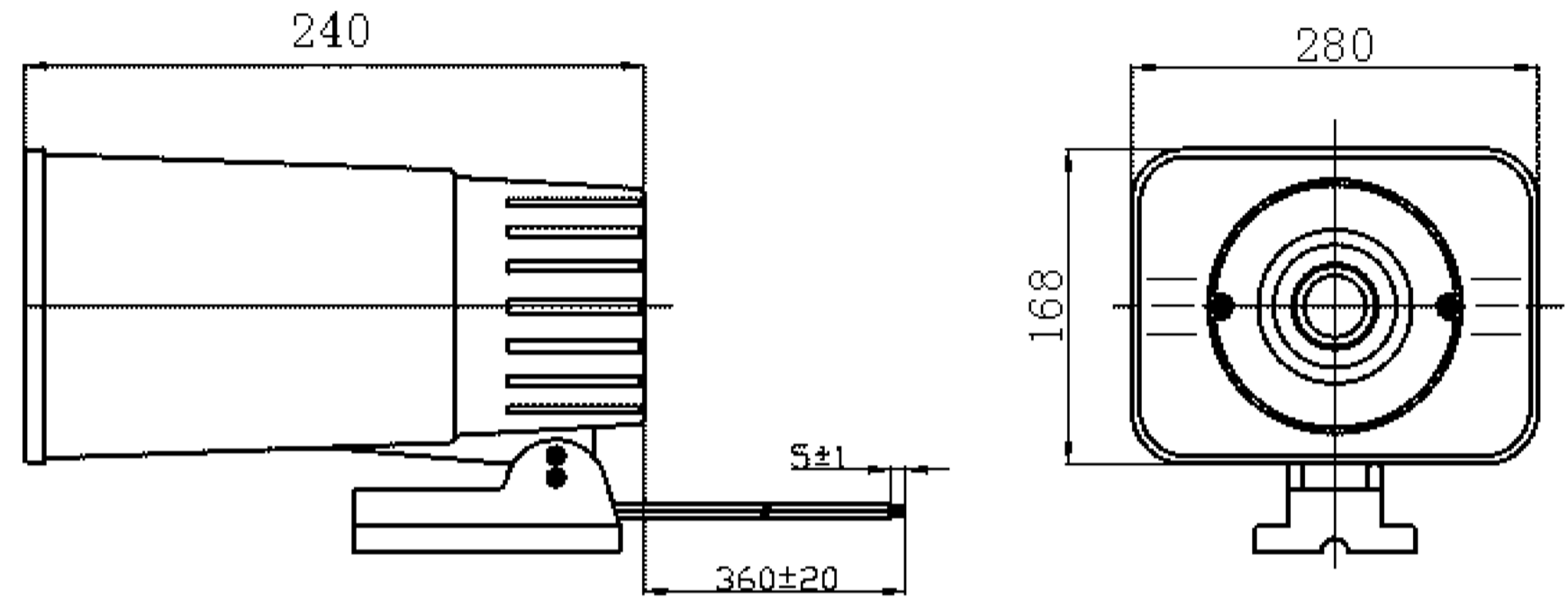


Specification (Test Condition, 25°C)

1. Housing Material/ Color..... ABS / White
2. Voice Coil Impedance 8 Ohm (at 1 KHz)
3. Voice Coil Dimension Ø 33 mm(Dia.)
4. Magnet Size Ø 80x40x12mm(Dia.* dia.*H)
5. Power Rating RMS 20 W
6. Power Rating Peak 25 W
7. Frequency Range 800-8000Hz
8. Resonant Freq. Fo. 1.5 KHz ±10%
9. S.P.L. 100 dB(at 1 meter, 2.83V,1000Hz)
10. Wires Connection Black,white (Non-polarized)
11. Weight 1050 ±10 g



| | | | | | |
|--|-------------|-----------|----------|---|------------|
| | | | | DSW NINGBO DSW AUDIO & SECURITY EQUIPMENT http://www.dswbrand.com | |
| | | | | Horn Speaker | |
| No. | DESCRIPTION | APPROVED | DATE | EH-280 | |
| <small>TOLERANCES UNLESS NOTED OTHERWISE</small> X .1 .XX .05 .XXX .01 <small>90° FORMED .2° ANGLES .1*</small> <small>FIRST ANGLE PROJECTION</small> | | APPROVALS | | UNIT | DWG NO. |
| | | DRAWN | | mm | E3.840.006 |
| | | CHECKED | | SCALE | SHEET |
| | | APPROVED | 04.02.10 | NOT TO SCALE | VER 1.0 |