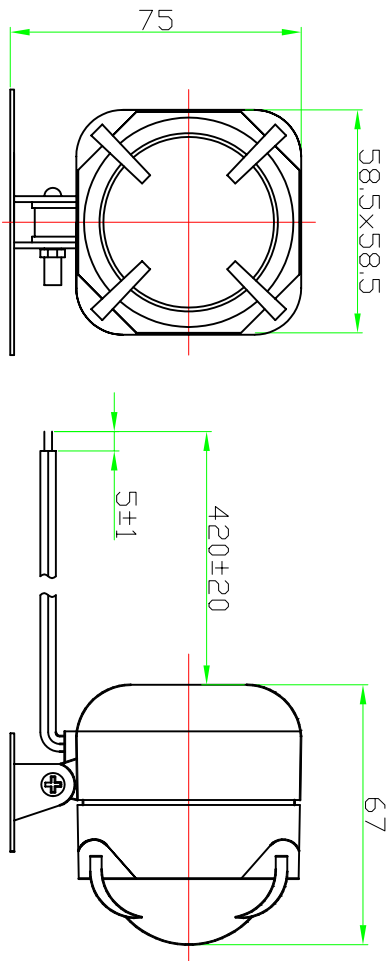
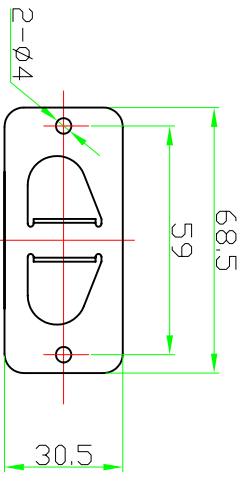


Specification

(Test Condition, 25°C)



- 1. Housing Material/Color ABS/Black
- 2. Voice Coil Impedance 12 Ohm
- 3. Voice Coil Dimension Ø 25.4 mm(Dia.)
- 4. Magnet Size Ø60*32*10 mm(Dia.* dia.*H)
- 5. Power Rating RMS 15 W
- 6. Power Rating Peak 20 W
- 7. Frequency Range 1000 - 8000Hz
- 8. Resonant Freq. Fo. 1.0 KHz ±10%
- 9. S.P.L. 80±3 dB(at 1 meter, 1W, 1KHz)
- 10. Wires Connection Black, white (Non-polarized)
- 11. Weight 190 ±10 g



DSW NINGBO DSW AUDIO & SECURITY EQUIPMENT http://www.dswbrand.com			
Home Speaker			
EH-59T-12			
No.	DESCRIPTION	APPROVED	DATE
COLLEGE OVERSEAS BUSINESS X XX + DRAWN CHECKED FIRST ANGLE PROJECTION			
UNIT	SCALE	DWG. NO.	SHEET
mm	NOT TO SCALE	E3.840.007	VER 1.0