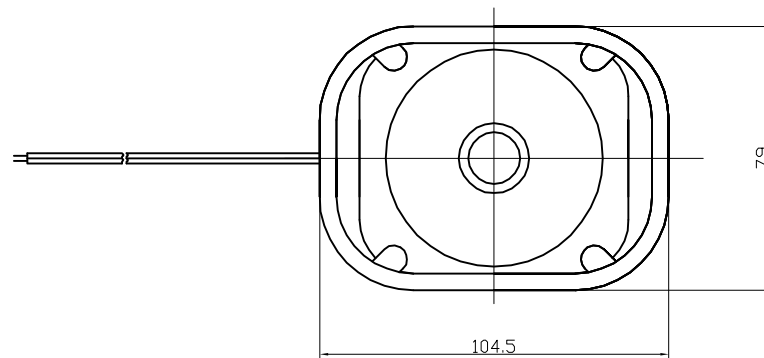
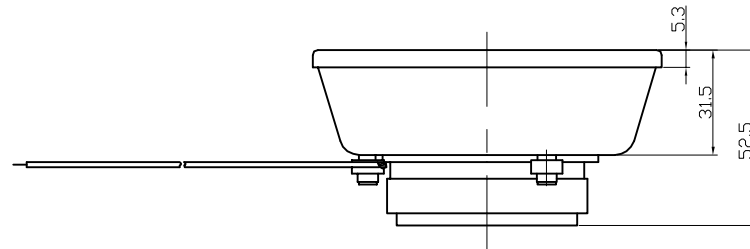
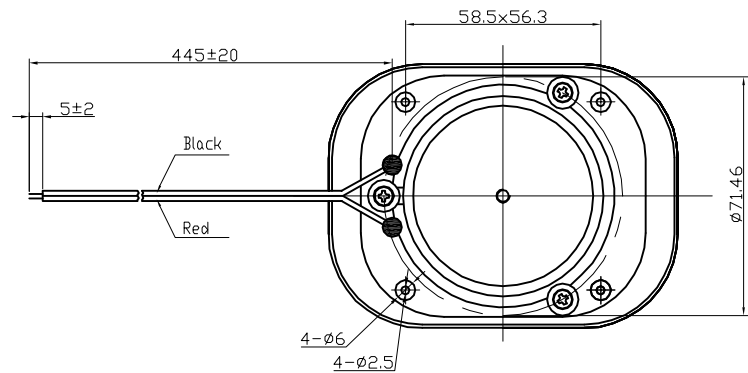


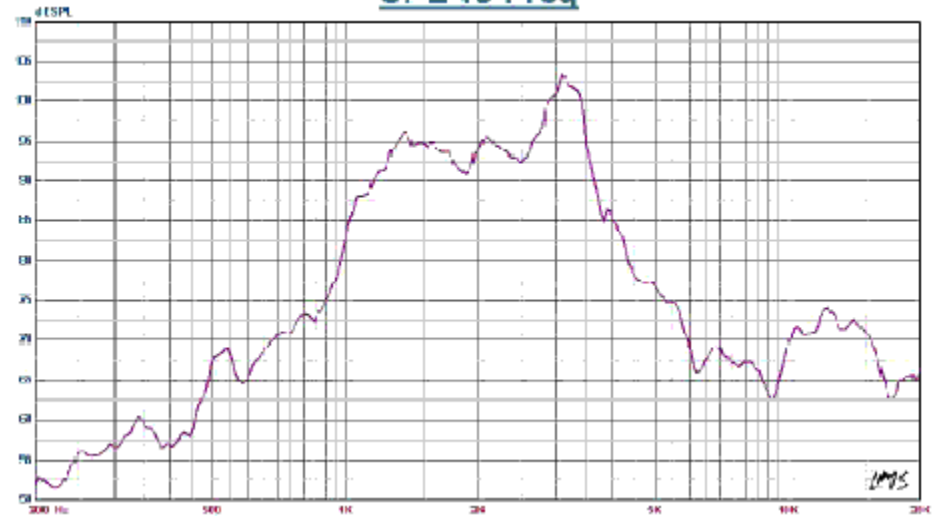
Specification

(Test Condition, 25 °C)

1. Housing Material/ColorABS/Black
2. Voice Coil Impedance 6 Ohm (at 1 KHz)
3. Voice Coil Dimension Ø 25.5 mm(Dia.)
4. Magnet SizeØ60*32*10 mm(Dia.* dia.*H)
5. Power Rating RMS 15 W
6. Power Rating Peak 20 W
7. Frequency Range 500-10KHz
8. Min. S.P.L.103 dB(at 1 meter, 1W, 500-10KHz)
9. Operating Temperature Range -20 ~ +60°C
10. Wires Connection Red, Black (Non-polarized)
11. Weight 300 ±10 g



SPL vs Freq



| | | | | | |
|---|-------------|-----------|----------|---|------------|
| | | | | DSW NINGBO DSW AUDIO & SECURITY EQUIPMENT http://www.dswbrand.com | |
| | | | | Horn Speaker | |
| | | | | H-104 | |
| No. | DESCRIPTION | APPROVED | DATE | UNIT | DWG NO. |
| TOLERANCES UNLESS NOTED OTHERWISE X = XX = XXX = 90° FORMED +2° ANGLES -1° | | APPROVALS | | mm | E3.840.015 |
| FIRST ANGLE PROJECTION | | CHECKED | | SCALE | SHEET |
| | | APPROVED | 04.02.10 | NOT TO SCALE | VER 1.0 |