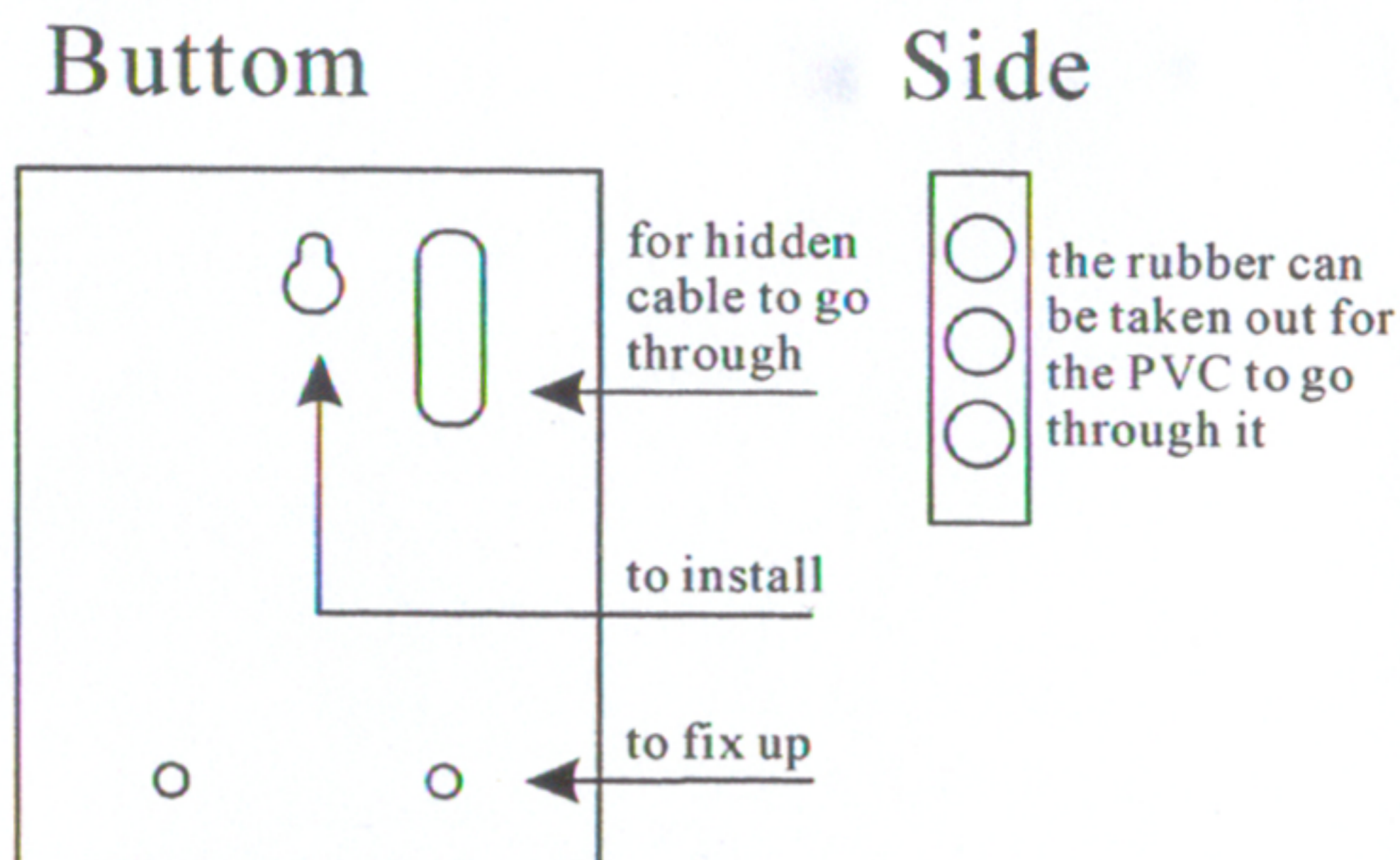
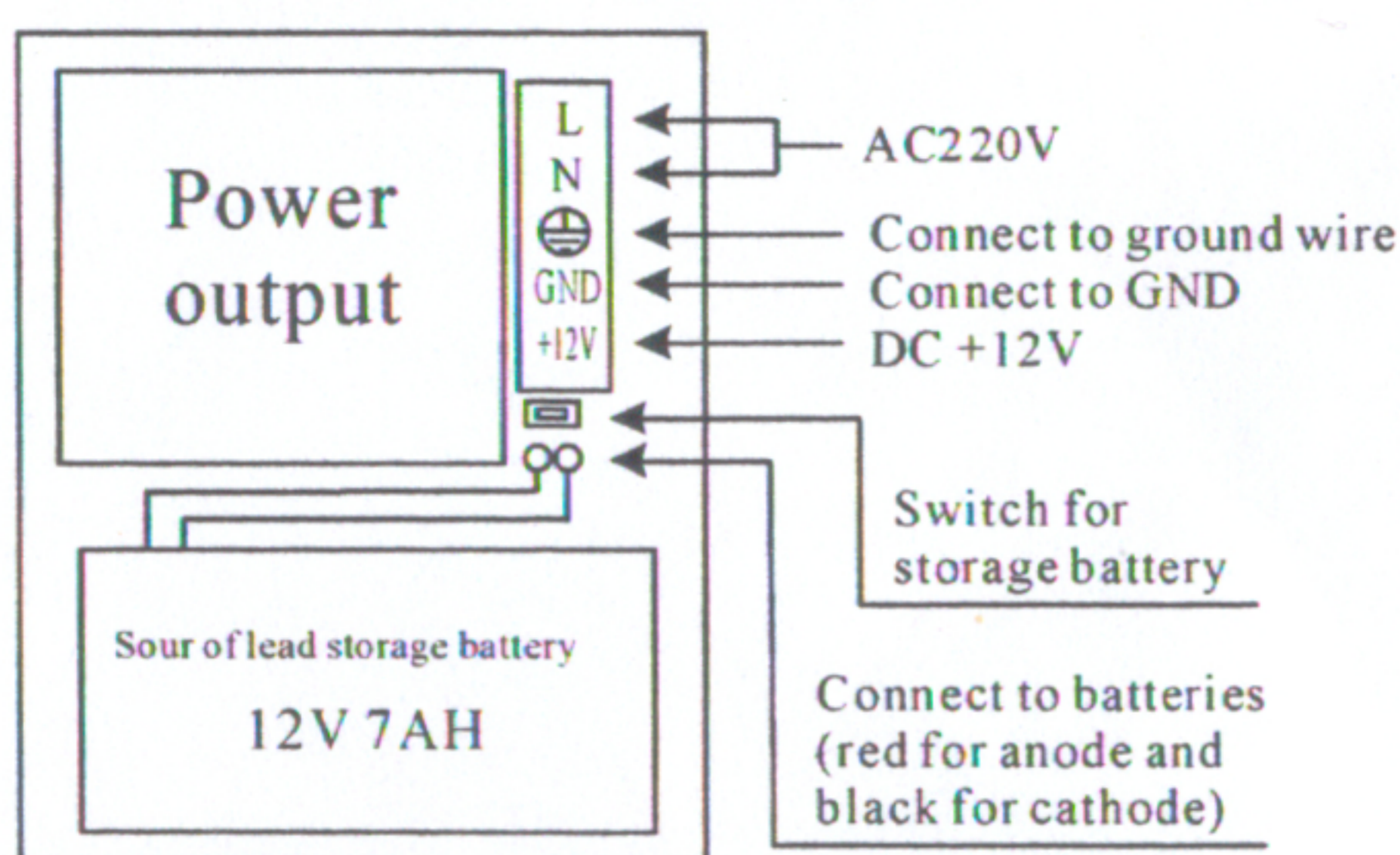


## 1. Assembly



## 2. Connection



## 3. Specification

Input power: AC190~265V 50~60Hz

Output power: DC12V  $\pm$  15%

Output current: I(Max)=3 A

Storage battery: 12V 7AH

## 4. Function of protect

Output Short protection

Output Overcurrent protection

Output Overvoltage protection

*If the load happen to short-circuit, the power supply would not be output, and it will continue to work automatically when the short-circuit is settled*

## 5. Use guide

- Please use power of 220V and cable of two phases and three cables. Make sure the battery is connected well to the ground wire.
- The machine is self-protected against overload, over charge and wrong polarity, etc.
- Please switch on the battery when no AC power connected. The machine won't power on if the pressure of the battery too low.
- The machine will work as soon as AC power is connected, and keep standby.
- If AC power is open, the storage battery will supply power in no time.

## 6. Warranty term

Warranty of one year's repair and one month's change is offered for the machines without disassembly or abrasion. If there should be any question, please feel free to contact us.