

Dual element Infrared Detector

INFRARED DETECTOR

Model No.: 926A



Features:

White light filter
 Auto Temperature Compensation, reducing false alarm
 LED ON&OFF Optional
 Alarm Duration Adjustable
 Adopted SMT, high EMI/RFI immunity

Technical Specification:

Operating Voltage	DC 9-16V
Supply Current	≤20mA DC 12V
Working Temperature	-10°C to +50°C
Installation Method	wall mounted
Installation Height	about 2.2m
Detecting Angle	110°
Detecting Distance	12m
Pet immunity	without
Alarm Output	Normal Close
Anti Tamper Switch	Normal Close

Model No.: 926B



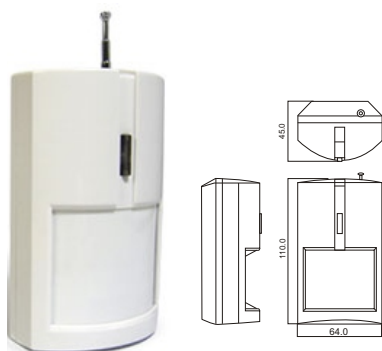
Features:

White light filter
 Auto Temperature Compensation, reducing false alarm
 LED ON&OFF Optional
 Alarm Duration Adjustable
 Adopted SMT, high EMI/RFI immunity

Technical Specification:

Operating Voltage	DC 9-16V
Supply Current	≤20mA DC 12V
Working Temperature	-10°C to +50°C
Installation Method	wall mounted
Installation Height	about 2.2m
Detecting Angle	110°
Detecting Distance	12m
Pet immunity	without
Alarm Output	Normal Close
Anti Tamper Switch	Normal Close

Model No.:937F



Features:

Japan Nicera Dual Element PIR Sensor
 MCU processing
 Auto temperature compensation
 Digital signal radio transmission
 energy-saving function
 low battery indication
 Pulse count optional
 Alarm output N.C./N.O. Optional
 LED ON&OFF optional
 High Density SMT Design, high EMI/RFI immunity

Technical Specification:

Operating Voltage	1*3.6V 1/2AA Li battery
Power consumption	alarm: ≤15mA standby: ≤8uA
Operating temperature	-10°C~+50°C
Installation method	ceiling mounted
Installation height	about 2.2m
Detecting angle	110°
Detecting range	12m
Alarm output	radio transmission
Anti tamper switch	N.C.

Model No.:908HG



Features:

MCU processing
 Pulse count optional
 Detecting distance adjustable
 Anti masking function
 White light filter
 Alarm mode N.O./N.C.
 Look-down window detecting dead angle
 Auto Temperature Compensation, reducing false alarm
 LED ON&OFF optional
 Metal shield with electromagnetism immunity

Technical Specification:

Operating Voltage	DC 9-16V
Supply Current	≤22mA DC 12V
Working Temperature	-10°C to +50°C
Installation Method	wall mounted
Installation Height	about 2.2m
Detecting Angle	110°
Detecting Distance	6-12m
Anti Tamper Switch	Normal Close
Anti masking distance	40cm

Dual element Infrared Detector

INFRARED DETECTOR

Model No.: 916F



Features:

Ceiling mounted
MCU processing
Pulse count optional
Digital signal radio transmission
Low battery indication
Energy-saving function
Auto Temperature Compensation,
reducing false alarm

Technical Specification:

Operating Voltage	1*3.6V 1/2AA li battery
Supply Current	alarm ≤30mA; standby ≤8 μA
Working Temperature	-10℃ to +50℃
Installation Method	wall mounted
Installation Height	about 2.2m
Detecting Angle	110°
Detecting Distance	12m
Alarm Output	radio output
Anti Tamper Switch	Normal Close
Battery	3-5y
Emission distance	≥100m in open area without obstruction
Emission frequency	315MHZ or 433MHZ

Model No.: 916G



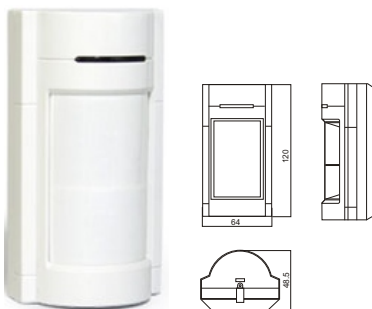
Features:

MCU processing
Pulse count optional
Detecting distance optional
Look-down design without dead
angle
Auto Temperature Compensation,
reducing false alarm
Alarm output N.C./N.O. Optional
for different alarm
Metal shield with electromagnetism
immunity

Technical Specification:

Operating Voltage	DC 9-16V
Supply Current	≤25mA DC 12V
Working Temperature	-10℃ to +50℃
Installation Method	wall mounted
Installation Height	about 2.2m
Detecting Angle	110°
Detecting Distance	6-12m
Alarm Output	N.C./N.O.
Anti Tamper Switch	Normal Close

Model No.: 993B



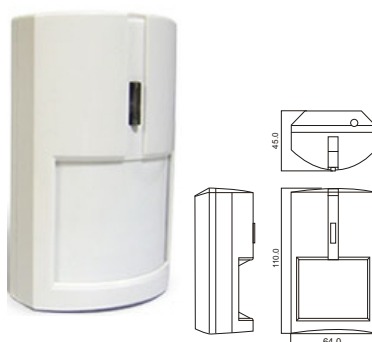
Features:

Japan Nicera Dual Element PIR
Sensor
MCU processing
Pet immunity
Auto temperature compensation
Pulse count optional
Alarm output N.C./N.O. Optional
LED ON&OFF optional
High Density SMT Design, high
EMI/RFI immunity

Technical Specification:

operating voltage	DC 9~16V
standby current	≤20mA (DC 12V)
Alarm current	≤25mA (DC 12V)
Operating temperature	-10℃~+50℃
Installation method	ceiling mounted
Installation height	about 2.2m
Detecting angle	110°
Detecting range	12m
Pet immunity	35kg below
Alarm output	N.C./N.O. optional
Anti tamper switch	N.C.

Model No.: 937A



Features:

Japan Nicera Dual Element PIR
Sensor
MCU processing
Auto temperature compensation
Pulse count optional
Alarm output N.C./N.O. Optional
LED ON&OFF optional
High Density SMT Design, high
EMI/RFI immunity

Technical Specification:

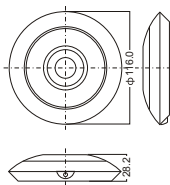
operating voltage	DC 9~16V
standby current	≤20mA (DC 12V)
Alarm current	≤25mA (DC 12V)
Operating temperature	-10℃~+50℃
Installation method	ceiling mounted
Installation height	about 2.2m
Detecting angle	110°
Detecting range	12m
Alarm output	N.C./N.O. optional
Anti tamper switch	N.C.

Dual element Infrared Detector

DSW Infrared Detector

INFRARED DETECTOR

Model No.: 905A-2



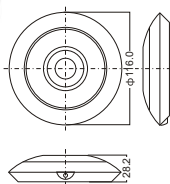
Features:

Ceiling Mounted
Anti tamper
MCU Processing
Auto Temperature Compensation
360° Viewing
LED On & Off Optional
Alarm Duration Adjustable
Adopted SMT, high EMI/RFI immunity

Technical Specification:

Operating Voltage	DC9-16V
Supply Current:	≤25mA DC 12V
Working Temperature	-10℃ to +50℃
Installation Method	ceiling mounted
Installation Height	2.5m-6m
Detecting Angle	360°
Detecting Range	diameter: 6m (installation height:3.6m)
Alarm Output	Normal Close
Anti Tamper Switch	Normal Close

Model No.:905A



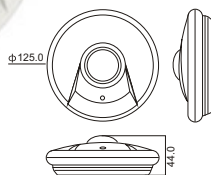
Features:

Ceiling Mounted
Anti tamper
MCU Processing
Auto Temperature Compensation
360° Viewing
LED On & Off Optional
Alarm Duration Adjustable
Adopted SMT, high EMI/RFI immunity

Technical Specification:

Operating Voltage	DC9-16V
Supply Current:	≤25mA DC 12V
Working Temperature	-10℃ to +50℃
Installation Method	ceiling mounted
Installation Height	2.5m-6m
Detecting Angle	360°
Detecting Range	diameter: 6m (installation height:3.6m)
Alarm Output	Normal Close
Anti Tamper Switch	Normal Close

Model No.:919F



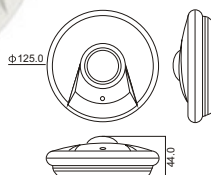
Features:

Ceiling mounted
MCU processing
Pulse count optional
Digital signal radio transmission
Low battery indication
Energy-saving function
Auto Temperature Compensation,
reducing false alarm

Technical Specification:

Operating Voltage	1*3.6V 1/2AA li battery
Supply Curren	alarm≤30mA ; standby≤8 μA
Working Temperature	-10℃ to +50℃
Installation Method	ceiling mounted
Installation Height	2.5-6m
Detecting Angle	360°
Detecting Range	diameter:8m (installation height:3.6m)
Alarm Output	radio output
Anti Tamper Switch	Normal Close
Battery	3-5y
Emission distance	≥100m
Emission frequency	315MHZ or 433MHZ

Model No.:919A



Features:

- ◆ Ceiling mounted
- ◆ Metal shield with electromagnetism immunity
- ◆ Pulse count optional
- ◆ 360° Viewing
- ◆ Detecting range optional
- ◆ Auto Temperature Compensation, reducing false alarm
- ◆ LED ON&OFF Optional for different alarm
- ◆ Alarm Duration Adjustable

Technical Specification:

Operating Voltage	DC 9-16V
Supply Current	≤25mA DC 12V
Working Temperature	-10℃ to +50℃
Installation Method	ceiling mounted
Installation Height	2.5-6m
Detecting Angle	360°
Detecting Range	6-8m (installation height:3.6m)
Alarm Output	Normal Close / Normal Open
Anti Tamper Switch	Normal Close

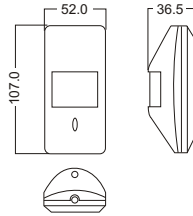
DSW Security

The information contained herein is believed to be correct, but no guarantee for accuracy, completeness

Dual element Infrared Detector

INFRARED DETECTOR

Model No.: 916F



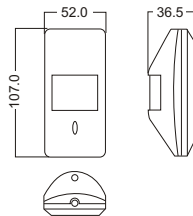
Features:

- MCU Processing
- Anti Dismantle Case
- Pet Immunity
- Auto Temperature Compensation
- LED On & Off Optional
- Pulse Duration Adjustable
- High Density SMT Design,
- EMI/RFI Resistance

Technical Specification:

Operating Voltage	DC9-16V
Supply Current	≤20mA DC 12V
Working Temperature	-10°C to +50°C
Installation Method	wall mounted
Installation Height	about 2.2m
Detecting Angle	110°
Detecting Distance	12m
Pet Immunity	<11kg
Alarm Output	Normal Close
Anti Tamper Switch	Normal Close

Model No.: 901B



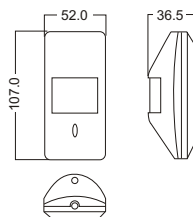
Features:

- MCU Processing
- Anti tamper
- Pet Immunity
- Auto Temperature Compensation
- LED On & Off Optional
- Pulse Delay Adjustable
- Adopted SMT, high EMI/RFI immunity

Technical Specification:

Sensor	Low noise, high sensitivity, dual element, rectangular infrared beam
Processing	MCU processor, Auto temperature compensation
Startup Time	60sec after power up
Detection Speed	0.15-15m/sec
Operating Temperature	-10°C to +50°C
Power Input	9~16V DC, max current 25mA
Lens	Second generation Fresnel lens
Pet immunity	Anti Pet, weight under 11kg
Installation	Wall mounted
Coverage	12m 110°
Installation Height	Approx 2.2m
Alarm Output	N.C., 28V DC, 80mA
Alarm delay time	Optional
Anti-Tamper Switch	N.C., opens when cover removed, 28V DC, 100mA
Operating Humidity	95%
Weight	0.09kg

Model No.:901A



Features:

- Anti tamper
- White Light filter
- Auto Temperature Compensation
- LED On & Off Optional
- Alarm Duration Adjustable
- Adopted SMT, high EMI/RFI immunity

Technical Specification:

Operating Voltage	DC9-16V
Supply Current	≤20mA DC 12V
Working Temperature	-10°C to +50°C
Installation Method	wall mounted
Installation Height	about 2.2m
Detecting Angle	110°
Detecting Distance	12m
Pet Immunity	without
Alarm Output	Normal Close
Anti Tamper Switch	Normal Close