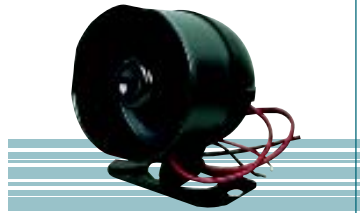


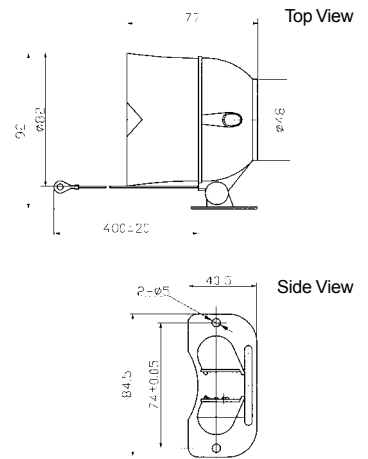
Electronic Siren

ES-82T SERIES ELECTRONIC SIREN

Model No	ES-82T1-12V
Voice Coil Impedance	8 Ohm (at 1 KHz)
Voice Coil Dimen(Dia.)	Ø 25.4 mm
Rated Voltage	12 VDC
Operating Voltage	6~14VDC
S.P.L.	108 ± 2dB at 12VDC/1m
Max. Current Draw	550mA at 12VDC
Tone Nature	Warble
Operating Temperature	-20~+60 ± æ
Weight	365 ± 10g
Remark	Standard
N.W / G.W	18.5 / 19.5Kgs
Meas / QTY	43 x 19 x 39cm / 50 pcs



DIMENSIONS



20Watts
Color White/Black
ABS Housing Material

* 10 Watts / 15 Watts / 25 Watts Available

all dimensions are in mm

* Value applying at rated voltage

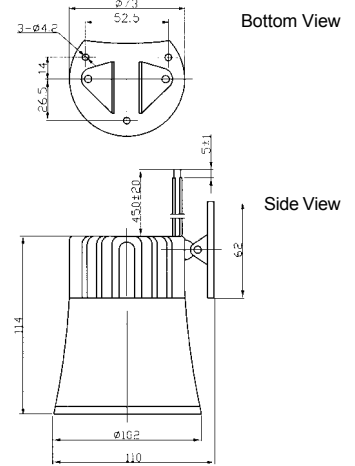
ES-102T SERIES ELECTRONIC SIREN



Model No	ES-102T-12V	
Voice Coil Impedance	8 Ohm (at 1 KHz)	
Voice Coil Dimen(Dia.)	Ø 25.4 mm	
Rated Voltage	12 VDC	
Operating Voltage	6~14VDC	
S.P.L.	107 ± 2dB at 12VDC/1m	
Max. Current Draw	550mA at 12VDC	
Tone Nature	Warble or 6 Tone	
Operating Temperature	-20~+60 ± æ	
Weight	390 ± 10g	
Remark	Economical	



DIMENSIONS



20Watts
Color Black/White
ABS Housing Material

N.W / G.W 19.5 / 20.5 Kgs
Meas / QTY 57 x 36 x 27.5cm / 30pcs

all dimensions are in mm

* Value applying at rated voltage

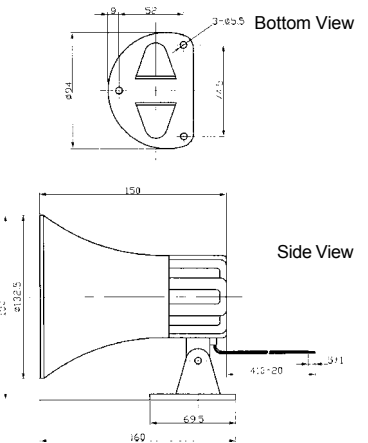
ES-133T SERIES ELECTRONIC SIREN



Model No	ES-133T1-24V(20W)	
Voice Coil Impedance	16 Ohm (at 1 KHz)	
Voice Coil Dimen(Dia.)	Ø 25.4 mm	
Rated Voltage	24 VDC	
Operating Voltage	18~27VDC	
S.P.L.	114 ± 2dB at 12VDC/1m	
Max. Current Draw	550mA at 12VDC	
Tone Nature	Warble	
Operating Temperature	-20~+60 ± æ	
Weight	475 ± 10g	
Remark	24V Standard	



DIMENSIONS



20Watts
Color White/Black
ABS Housing Material

* Warble & Steady Available
N.W / G.W 9.5 / 10.5 Kgs
Meas / QTY 68 x 28 x 35cm / 20pcs

all dimensions are in mm

* Value applying at rated voltage

Ningbo DSW Electronics Co.,Ltd

Tel: (+86)-574-87284513 Fax: (+86)-574-87264906 Http://www.DSWbrand.com E-mail: sales@dswbrand.com

ES-88U SERIES ELECTRONIC SIREN

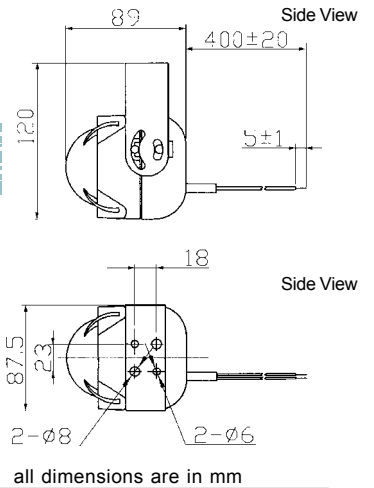
Model No	ES-88U-12V(20W)
Voice Coil Impedance	8 Ohm (at 1 KHz)
Voice Coil Dimen(Dia.)	Ø25.4 mm
Rated Voltage	12 VDC
Operating Voltage	6~14VDC
S.P.L.	112 ±2dB at 12VDC/1m
Max. Current Draw	1100mA at 12VDC
Tone Nature	Warble or 6 Tone
Operating Temperature	-20~+60 ±æ
Weight	360 ±10g
Remark	Standard
N.W / G.W	14 / 15 Kgs
Meas / QTY	58 x 23 x 30cm / 30 pcs



20Watts
Color Black
ABS Housing Material

* 10 Watts/ 15 Watts/ 25 Watts Available

DIMENSIONS



* Value applying at rated voltage

ES-105U SERIES ELECTRONIC SIREN

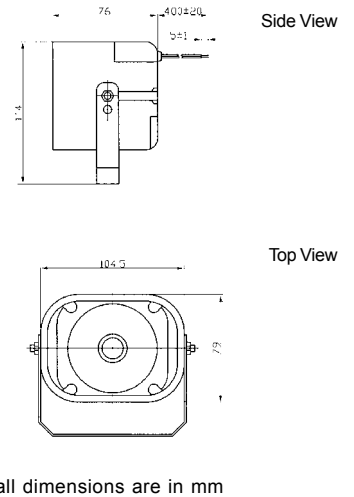
Model No	ES-105U-12V(15W)
Voice Coil Impedance	8 Ohm (at 1 KHz)
Voice Coil Dimen(Dia.)	Ø25.4 mm
Rated Voltage	12 VDC
Operating Voltage	6~15VDC
S.P.L.	104 ±2dB at 12VDC/1m
Max. Current Draw	550mA at 12VDC
Tone Nature	Warble or 6 Tone
Operating Temperature	-20~+60 ±æ
Weight	465 ±10g
Remark	Standard
N.W / G.W	17 / 18 Kgs
Meas / QTY	46.5 x 40 x 29cm / 36 pcs



20Watts
Color Black
ABS Housing Material

* 10 Watts/ 15 Watts/ 25 Watts Available

DIMENSIONS



* Value applying at rated voltage

ES-91T SERIES ELECTRONIC SIREN

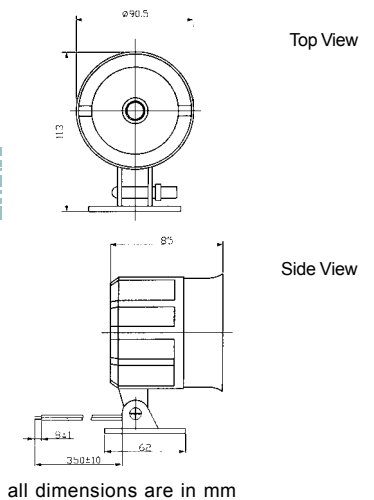
Model No	ES-91T-12V(15W)	ES-91T-12V(20W)
Voice Coil Impedance	6 Ohm (at 1 KHz)	6 Ohm (at 1 KHz)
Voice Coil Dimen(Dia.)	Ø25.4 mm	Ø25.4 mm
Rated Voltage	12 VDC	12 VDC
Operating Voltage	6~14VDC	6~14VDC
S.P.L.	104 ±2dB at 12VDC/1m	110dB at 12VDC/1m
Max. Current Draw	550mA at 12VDC	1100mA at 12VDC
Tone Nature	Warble or 6 Tone	Warble or 6 Tone
Operating Temperature	-20~+60 ±æ	-20~+60 ±æ
Weight	360 ±10g	360 ±10g
Remark	Economical	Standard
N.W / G.W	11 / 12 Kgs	11 / 12 Kgs
Meas / QTY	58 x 23 x 30cm / 30 pcs	58 x 23 x 30cm / 30 pcs



20Watts
Color Black
ABS Housing Material

* Warble & Steady Available

DIMENSIONS



* Value applying at rated voltage

Electronic Siren

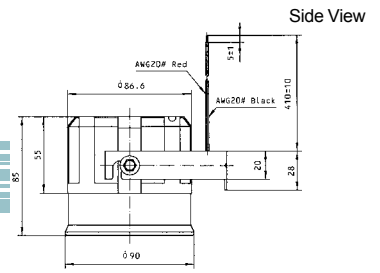
ES-91U SERIES ELECTRONIC SIREN

Model No ES-91U6-12V(15W)

Voice Coil Impedance	8 Ohm (at 1 KHz)
Voice Coil Dimen(Dia.)	Ø 25.4 mm
Rated Voltage	12 VDC
Operating Voltage	6~14VDC
S.P.L.	107 ±2dB at 12VDC/1m
Max. Current Draw	550mA at 12VDC
Tone Nature	6 Tone
Operating Temperature	-20~+60 ; æ
Weight	403 ±10g
Remark	Standard
N.W / G.W	18 / 20 Kgs
Meas / QTY	58 x 23 x 30cm / 30 pcs

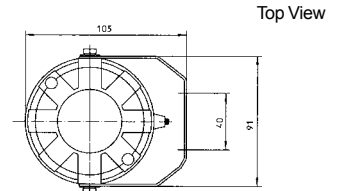


DIMENSIONS



20Watts
Color Black
ABS Housing Material

* 10 Watts/ 15 Watts/ 25 Watts Available



all dimensions are in mm

* Value applying at rated voltage

ES-86T SERIES ELECTRONIC SIREN



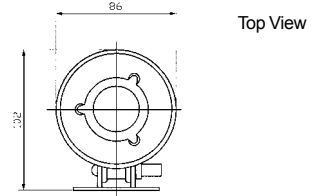
DIMENSIONS

Model No ES-86T-12V(20W) ES-86T-12V(15W)

Voice Coil Impedance	6 Ohm (at 1 KHz)	8 Ohm (at 1 KHz)
Voice Coil Dimen(Dia.)	Ø 24.5mm	Ø 25.4mm
Rated Voltage	12 VDC	12 VDC
Operating Voltage	6~14VDC	6~14 VDC
S.P.L.	117 ±2 dB at 12VDC/1m	110 ±2 dB at 12 VDC/1m
Max. Current Draw	1100mA at 12VDC	550 mA at 12VDC
Tone Nature	Warble/ 6 Tone	Warble/ 6 Tone
Operating Temperature	-20~+60 ; æ	-20~+60 ; æ
Weight	365 ±10g	365 ±10g
Remark	Economical	Standard
N.W / G.W	17.5 / 22 Kgs	17.5 / 22 Kgs
Meas / QTY	55 x 23 x 46cm / 50 pcs	55 x 23 x 46cm / 50 pcs

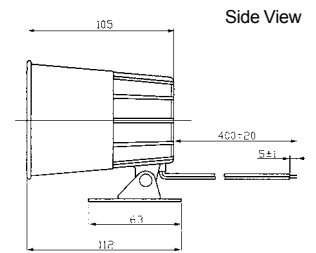


DIMENSIONS



20Watts
Color Black
ABS Housing Material

* Warble & Steady Available



all dimensions are in mm

* Value applying at rated voltage

ES-200R SERIES ELECTRONIC SIREN

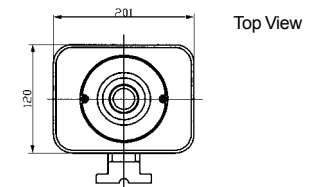
DIMENSIONS

Model No ES-200R-12V(30W)

Voice Coil Impedance	8 Ohm (at 1 KHz)
Voice Coil Dimen(Dia.)	Ø 33 mm
Rated Voltage	12 VDC
Operating Voltage	6~14VDC
S.P.L.	115 ±2dB at 12VDC/1m
Max. Current Draw	1100mA at 12VDC
Tone Nature	Steady & Warble
Operating Temperature	-20~+60 ; æ
Weight	1050 ±10g
Remark	Standard
N.W / G.W	14 / 16 Kgs
Meas / QTY	50 x 42.5 x 49cm / 12 pcs

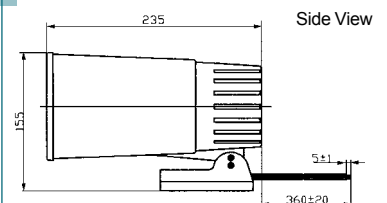


DIMENSIONS



30Watts
Color White/Black
ABS Housing Material

* Single Tone Available



all dimensions are in mm

* Value applying at rated voltage

Ningbo DSW Electronics Co.,Ltd

Tel: (+86)-574-87284513 Fax: (+86)-574-87264906 Http://www.DSWbrand.com E-mail: sales@dswbrand.com

The information contained herein is believed to be correct, but no guarantee for accuracy, completeness DSW Electronics Ltd. reserves the right to make changes without notification.

Electronic Siren

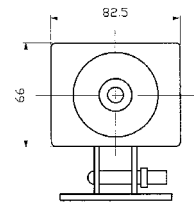
ES-66T SERIES ELECTRONIC SIREN

Model No ES-66T2-12V

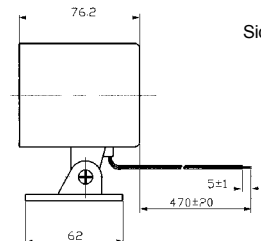
Voice Coil Impedance	8 Ohm (at 1 KHz)
Voice Coil Dimen(Dia.)	∅25.4 mm
Rated Voltage	12 VDC
Operating Voltage	6~14VDC
S.P.L.	112 ± 2dB at 12VDC/1m
Max. Current Draw	550mA at 12VDC
Tone Nature	Steady & Warble
Operating Temperature	-20~+60 ; ±
Weight	405 ± 10g
Remark	Standard
N.W / G.W	14 / 15 Kgs
Meas / QTY	55 x 23 x 46cm / 30 pcs



DIMENSIONS



Top View



Side View

all dimensions are in mm

* Value applying at rated voltage

20Watts

Color Black

ABS Housing Material

* 10 Watts/ 15 Watts/ 25 Watts Available

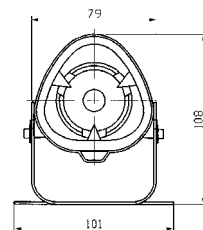
ES-79U SERIES ELECTRONIC SIREN

Model No ES-79U-12V

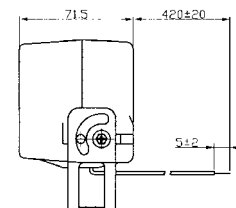
Voice Coil Impedance	8 Ohm (at 1 KHz)
Voice Coil Dimen(Dia.)	∅25.4 mm
Rated Voltage	12 VDC
Operating Voltage	6~14VDC
S.P.L.	112 ± 2 dB at 12VDC/1m
Max. Current Draw	550mA at 12VDC
Tone Nature	Single or 6 Tone
Operating Temperature	-20~+60 ; ±
Weight	445 ± 10g
Remark	Standard
N.W / G.W	18 / 19 Kgs
Meas / QTY	55 x 23 x 46cm / 30 pcs



DIMENSIONS



Top View



Side View

all dimensions are in mm

* Value applying at rated voltage

20Watts

Color Black

ABS Housing Material

* 10 Watts/ 15 Watts/ 25 Watts Available

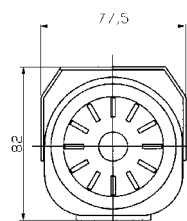
ES-78U SERIES ELECTRONIC SIREN

Model No ES-78U-12V

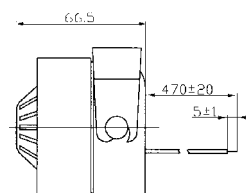
Voice Coil Impedance	12 Ohm (at 1 KHz)
Voice Coil Dimen(Dia.)	∅25.4 mm
Rated Voltage	12 VDC
Operating Voltage	6~14VDC
S.P.L.	105 ± 2 dB at 12VDC/1m
Max. Current Draw	550 mA at 12VDC
Tone Nature	Single or 6 Tone
Operating Temperature	-20~+60 ; ±
Weight	250 ± 10g
Remark	Standard
N.W / G.W	23 / 24 Kgs
Meas / QTY	40.5 x 17.5 x 34cm / 50 pcs



DIMENSIONS



Top View



Side View

all dimensions are in mm

* Value applying at rated voltage

20Watts

Color White/Black

ABS Housing Material

* 10 Watts/ 15 Watts/ 25 Watts Available

The information contained herein is believed to be correct, but no guarantee for accuracy, completeness, DSW Electronics Ltd. reserves the right to make changes without notification.

Ningbo DSW Electronics Co.,Ltd

Tel: (+86)-574-87284513 Fax: (+86)-574-87264906 Http://www.DSWbrand.com E-mail: sales@dswbrand.com

Electronic Siren

ES-80T SERIES ELECTRONIC SIREN

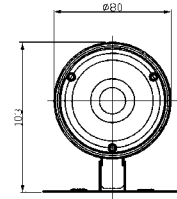
Model No ES-80T1-12V(20W)

Voice Coil Impedance	6 Ohm (at 1 KHz)
Voice Coil Dimen(Dia.)	Ø25.4 mm
Magnet Size	Ø60 x 32 x 10mm
Rated Voltage	12 VDC
Operating Voltage	6~14VDC
Min. S.P.L.	108dB at 12VDC/1m
Max. Current Draw	1300mA at 12VDC
Tone Nature	Warble
Operating Temperature	-20~+70 ; ±æ
Weight	360 ; ±10g
Remark	Standard

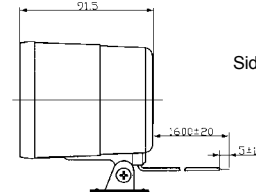


20Watts
Color Black/White
ABS Housing Material

DIMENSIONS



Top View



Side View

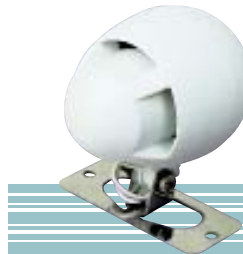
all dimensions are in mm

* Value applying at rated voltage

ES-56T SERIES ELECTRONIC SIREN

Model No ES-56T1-12V

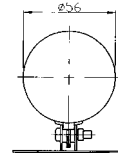
Voice Coil Impedance	12 Ohm (at 1 KHz)
Voice Coil Dimen(Dia.)	Ø25.4mm
Magnet Size	24.5 x 3.5mm
Rated Voltage	12 VDC
Operating Voltage	6~15VDC
Min. S.P.L.	105 ; ±3dB at 12VDC/1m
Max. Current Draw	650mA at 12VDC
Tone Nature	Single
Operating Temperature	-20~+60 ; ±æ
Weight	155 ; ±10g



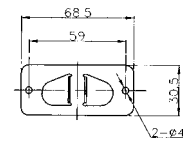
Color Black/White
ABS Housing Material

* Steady & Warble Available

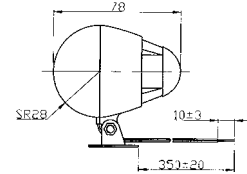
DIMENSIONS



Top View



Bottom View



Side View

all dimensions are in mm

* Value applying at rated voltage

ES-92T SERIES ELECTRONIC SIREN

Model No ES-92T2-12V(20W)

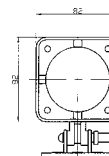
Voice Coil Impedance	6 Ohm (at 1 KHz)
Voice Coil Dimen(Dia.)	Ø25.4 mm
Magnet Size	Ø70 x 32 x 10mm
Rated Voltage	12 VDC
Operating Voltage	6~15VDC
Min. S.P.L.	116 ; ±3 at 12VDC/1m
Max. Current Draw	650mA at 12VDC
Tone Nature	Warble & Steady
Operating Temperature	-20~+60 ; ±æ
Weight	580 ; ±10g
N.W / G.W	14 / 15 Kgs
Meas / QTY	58 x 23 x 30cm / 30 pcs



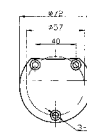
Color Black/White
ABS Housing Material

* Single Tone Available

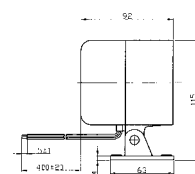
DIMENSIONS



Top View



Bottom View



Side View

all dimensions are in mm

* Value applying at rated voltage

Ningbo DSW Electronics Co.,Ltd

Tel: (+86)-574-87284513 Fax: (+86)-574-87264906 Http://www.DSWbrand.com E-mail: sales@dswbrand.com

ES-82T SERIES ELECTRONIC SIREN

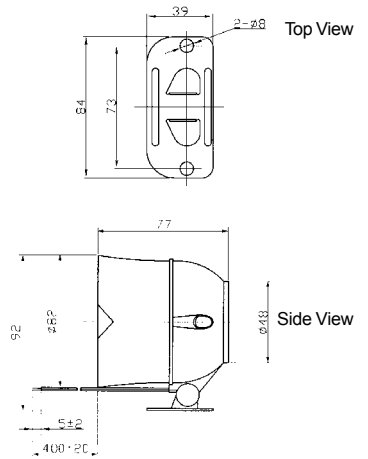
DIMENSIONS

Model No	ES-82T6-12V(20W)	ES-82T1-12V(15W)
Voice Coil Impedance	8 Ohm (at 1 KHz)	8 Ohm (at 1 KHz)
Voice Coil Dimen(Dia.)	Ø25.4mm	Ø25.4mm
Rated Voltage	12 VDC	12 VDC
Operating Voltage	6~14VDC	6~14 VDC
S.P.L.	112 ±2 dB at 12VDC/1m	107 ±2 dB at 12 VDC/1m
Max. Current Draw	1100 mA at 12VDC	550mA at 12VDC
Tone Nature	6 Tone	Single
Operating Temperature	-20~+60 ; ±	-20~+60 ; ±
Weight	340 ±10g	340 ±10g
Remark	Standard	Economical
N.W / G.W	17 / 18 Kgs	17 / 18 Kgs
Meas / QTY	45.5 x 20 x 42.5cm / 50 pcs	45.5 x 20 x 42.5cm / 50 pcs



color Black
ABS Housing Material

* Steady & Warble Available



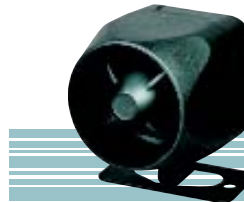
all dimensions are in mm

* Value applying at rated voltage

ES-58T SERIES ELECTRONIC SIREN

DIMENSIONS

Model No	ES-58T-12V(20W)
Voice Coil Impedance	8 Ohm (at 1 KHz)
Voice Coil Dimen(Dia.)	Ø25.4 mm
Rated Voltage	12 VDC
Operating Voltage	6~14VDC
S.P.L.	112 ±2 dB at 12VDC/1m
Max. Current Draw	1100 mA at 12VDC
Tone Nature	Warble or 6 Tone
Operating Temperature	-20~+60 ; ±
Weight	170 ±10g

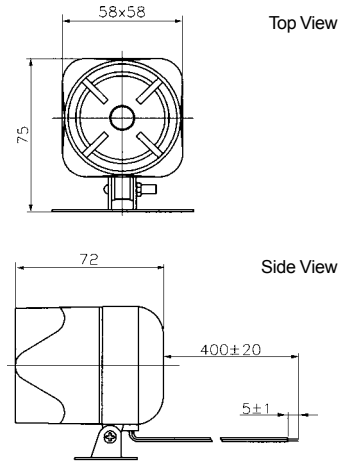


color Black
ABS Housing Material

U Bracket Available

N.W / G.W 8.5 / 9.5 Kgs

Meas / QTY 43.5 x 20 x 43.5cm / 50pcs



all dimensions are in mm

* Value applying at rated voltage

ES-59T SERIES ELECTRONIC SIREN

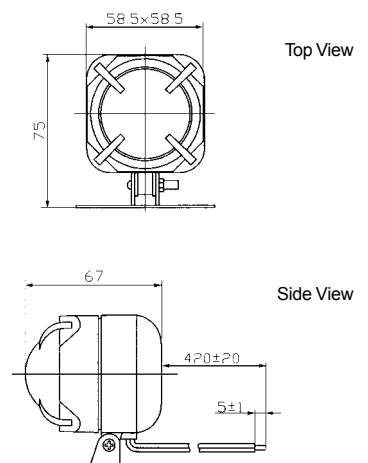
DIMENSIONS

Model No	ES-59T-12V(15W)
Voice Coil Impedance	8 Ohm (at 1 KHz)
Voice Coil Dimen(Dia.)	Ø25.4 mm
Rated Voltage	12 VDC
Operating Voltage	6~14VDC
S.P.L.	105 ±2 dB at 12VDC/1m
Max. Current Draw	550 mA at 12VDC
Tone Nature	Warble or 6 Tone
Operating Temperature	-20~+60 ; ±
Weight	160 ±10g
N.W / G.W	8 / 9 Kgs
Meas / QTY	43.5 x 20 x 43.5cm / 50 pcs



color White/Black
ABS Housing Material

U Bracket Available



all dimensions are in mm

* Value applying at rated voltage

ES-110 SERIES ELECTRONIC SIREN

Model No ES-110S2-12V(15W)

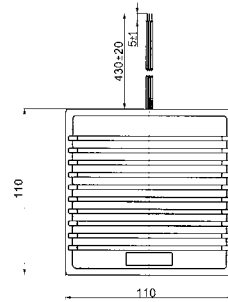
Voice Coil Impedance	8 Ohm (at 1 KHz)
Voice Coil Dimen(Dia.)	Ø19.45 mm
Rated Voltage	12 VDC
Operating Voltage	6~15VDC
S.P.L.	102 ±2dB at 12VDC/1m
Max. Current Draw	550mA at 12VDC
Tone Nature	Steady & Warble
Operating Temperature	-20~+60 ±æ
Weight	400 ±10g
N.W / G.W	13 / 14Kgs
Meas / QTY	32.5 x 25 x 38cm / 30 pcs



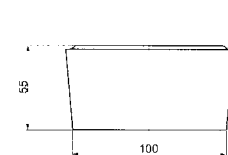
Color White
ABS Housing Material

* Single Tone Available

DIMENSIONS



Top View



Side View

all dimensions are in mm

* Value applying at rated voltage

EH-79U SERIES HORN SPEAKER

Model No EH-79U

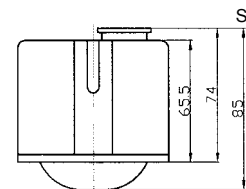
Impedance	4 Ohm (at 1 KHz)
Voice Coil Dia.	Ø25.4mm
Magnet Size	60 x 32 x 8mm
Power Rating	15W RMS
Freq.Resp.	0.9~5.0KHz
Min. S.P.L.	107 ±3 dB/W/M
Operating Temp.	-20~+85 ±æ
Weight	345g ±10g
N.W / G.W	13.5 / 14.5 Kgs
Meas / QTY	51 x 29.5 x 23.5cm / 30 pcs



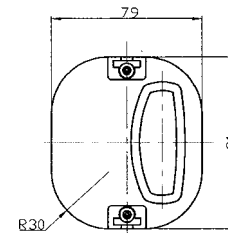
Color Black
PA66 Housing Material

* 8 Ohm or 16 Ohm Available

DIMENSIONS



Side View



Bottom View

all dimensions are in mm

* Value applying at rated voltage

ES-162 SERIES ELECTRONIC SPEAKER

Model No ES-162T2-12V

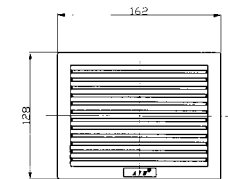
Voice Coil Impedance	8 Ohm (at 1 KHz)
Voice Coil Resistance	6.4 ±10% Ohm (at 1 KHz)
Voice Coil Dimen(Dia.)	Ø20 mm
Rated Voltage	12 VDC
Operating Voltage	6~14VDC
S.P.L.	97 ±2 dB at 12VDC/1m
Max. Current Draw	400mA at 12VDC
Tone Nature	Steady & Warble
Operating Temperature	-20~+60 ±æ
Weight	363 ±10g
N.W / G.W	14 / 15 Kgs
Meas / QTY	55 x 25 x 35cm / 40 pcs



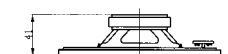
Color White
ABS Housing Material

* Single Tone Available

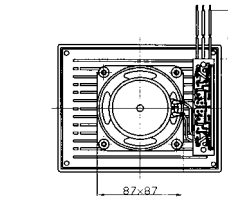
DIMENSIONS



Top View



Side View



Bottom View

all dimensions are in mm

* Value applying at rated voltage

ES-79UB SERIES BATTERY BACKUP

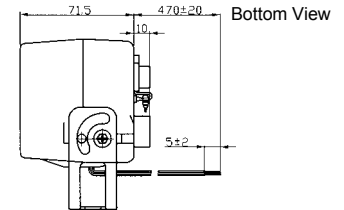
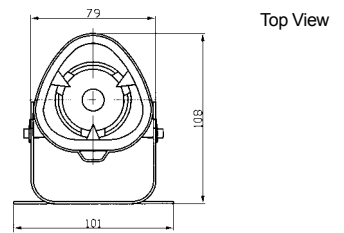
Model No	ES-79UB-20
Voice Coil Impedance	8 Ohm (at 1 KHz)
Voice Coil Dimen(Dia.)	Ø 25.4 mm
Magnet Size	60 x 32 x 10mm
Rated Voltage	12 VDC
Operating Voltage	6~14VDC
S.P.L.	112; ±2dB at 12VDC/1m
Max. Current Draw	1100 mA at 12VDC
Tone Nature	Warble or 6 Tone
Operating Temperature	-20~+60; ±æ
Weight	445; ±10g
N.W / G.W	18 / 19 Kgs
Meas / QTY	23 x 47 x 39cm / 40 pcs



20Watts
Color Black
ABS Housing Material

* 10 Watts/ 15 Watts/ 25 Watts Available

DIMENSIONS

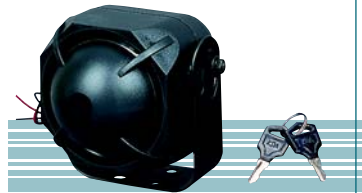


all dimensions are in mm

* Value applying at rated voltage

ES-88UB SERIES BATTERY BACKUP

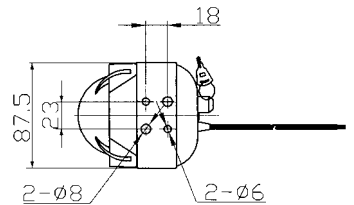
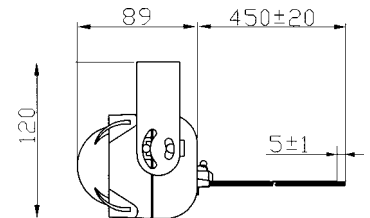
Model No	ES-88UB-20
Voice Coil Impedance	8 Ohm (at 1 KHz)
Voice Coil Dimen(Dia.)	Ø 25.4 mm
Magnet Size	60 x 32 x 10mm
Rated Voltage	12 VDC
Operating Voltage	6~14VDC
Min. S.P.L.	112; ±2 dB at 12VDC/1m
Max. Current Draw	1100 mA at 12VDC
Tone Nature	Wable or 6 Tone
Operating Temperature	-20~+85; ±æ
Weight	360; ±10g
N.W / G.W	14.5 / 15.5 Kgs
Meas / QTY	23 x 47 x 39cm / 40 pcs



20Watts
Color Black
ABS Housing Material

* 10 Watts/ 15 Watts/ 25 Watts Available

DIMENSIONS



all dimensions are in mm

* Value applying at rated voltage

ES-91UB SERIES BATTERY BACKUP

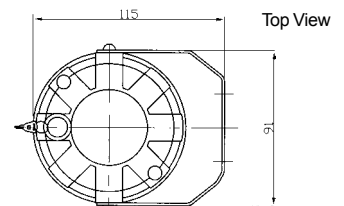
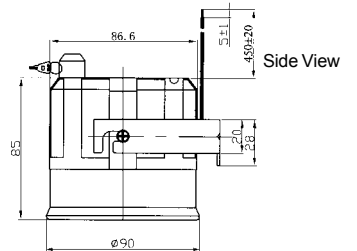
Model No	ES-91UB-20
Voice Coil Impedance	8 Ohm (at 1 KHz)
Voice Coil Dimen(Dia.)	Ø 25.4 mm
Magnet Size	60 x 32 x 10mm
Rated Voltage	12 VDC
Operating Voltage	6~14VDC
S.P.L.	110; ±2 dB at 12VDC/1m
Max. Current Draw	1100 mA at 12VDC
Tone Nature	Warble or 6 Tone
Operating Temperature	-20~+60; ±æ
Weight	445; ±10g
N.W / G.W	13.5 / 14.5 Kgs
Meas / QTY	51 x 29.5 x 23.5cm / 30 pcs



20Watts
Color Black
ABS Housing Material

* 10 Watts/ 15 Watts/ 25 Watts Available

DIMENSIONS



all dimensions are in mm

* Value applying at rated voltage

The information contained herein is believed to be correct, but no guarantee for accuracy, completeness, DSW Electronics Ltd. reserves the right to make changes without notification.

ES-59BT SERIES BATTERY BACKUP

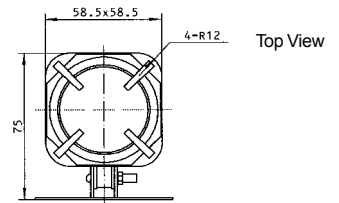
Model No	ES-59BT-20
Voice Coil Impedance	8 Ohm (at 1 KHz)
Voice Coil Dimen(Dia.)	∅25.4 mm
Magnet Size(Neo.)	24.5 x 3.5mm
Rated Voltage	12 VDC
Operating Voltage	6~14 VDC
Min. S.P.L.	112; ±2 dB at 12VDC/1m
Max. Current Draw	1100 mA at 12VDC
Tone Nature	Warble or 6 Tone
Operating Temperature	-20~+60; ±
Weight	165; ±10g
N.W / G.W	8.5 / 9.5 Kgs
Meas / QTY	43.5 x 20 x 43.5cm / 50 pcs



20Watts
Color Black
ABS Housing Material

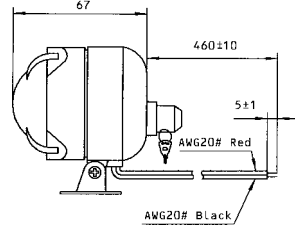
* 10 Watts/ 15 Watts/ 25 Watts Available

DIMENSIONS



Top View

Side View

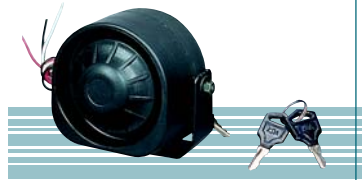


all dimensions are in mm

* Value applying at rated voltage

ES-78UB SERIES BATTERY BACKUP

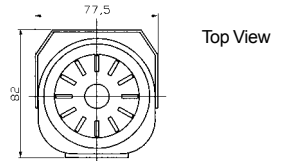
Model No	ES-78UB-20
Voice Coil Impedance	12 Ohm (at 1 KHz)
Voice Coil Dimen(Dia.)	∅25.4 mm
Magnet Size(Neo.)	24.5 x 3.5mm
Rated Voltage	12 VDC
Operating Voltage	6~15 VDC
S.P.L.	110; ±2 dB at 12VDC/1m
Max. Current Draw	700 mA at 12VDC
Tone Nature	Warble or 6 Tone
Operating Temperature	-20~+60; ±
Weight	455; ±10g
N.W / G.W	23 / 24 Kgs
Meas / QTY	40.5 x 17.5 x 34cm / 50 pcs



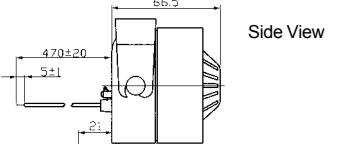
20Watts
Color Black
ABS Housing Material

* 10 Watts/ 15 Watts/ 25 Watts Available

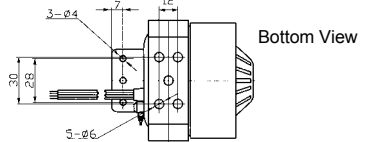
DIMENSIONS



Top View



Side View



Bottom View

all dimensions are in mm

* Value applying at rated voltage

ES-105UB SERIES BATTERY BACKUP

Model No	ES-105UB-20
Voice Coil Impedance	6 Ohm (at 1 KHz)
Voice Coil Dimen(Dia.)	∅25.4 mm
Magnet Size	60 x 32 x 10mm
Rated Voltage	12 VDC
Operating Voltage	6~15VDC
S.P.L.	110; ±2dB at 12VDC/1m
Max. Current Draw	1300mA at 12VDC
Tone Nature	Warble or 6 Tone
Operating Temperature	-20~+60; ±
Weight	470; ±10g
N.W / G.W	17 / 18 Kgs
Meas / QTY	46.5 x 40 x 29cm / 36 pcs

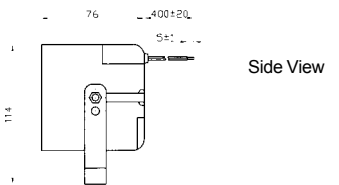


20Watts
Color Black
ABS Housing Material

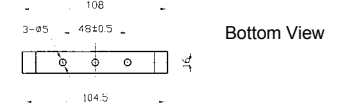
* 10 Watts/ 15 Watts/ 25 Watts Available



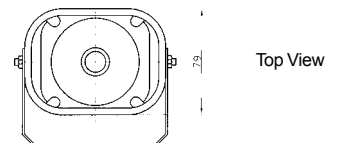
DIMENSIONS



Side View



Bottom View



Top View

all dimensions are in mm

* Value applying at rated voltage

Siren Battery Backup

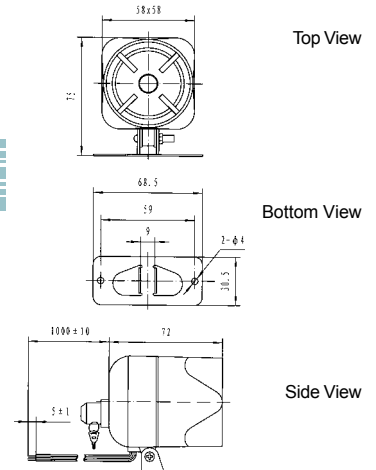
ES-58BT SERIES BATTERY BACKUP

Model No	ES-58BT-20
Voice Coil Impedance	12 Ohm (at 1 KHz)
Voice Coil Dimen(Dia.)	∅ 25.4 mm
Magnet Size(Neo.)	24.5 x 3.5mm
Rated Voltage	12 VDC
Operating Voltage	6~15 VDC
S.P.L.	105dB at 12VDC/1m
Max. Current Draw	550 mA at 12VDC
Tone Nature	Warble or 6 Tone
Operating Temperature	-20~+60 ; ±
Weight	165 ; ±10g
N.W / G.W	8.5 / 9.5 Kgs
Meas / QTY	43.5 x 20 x 43.5cm / 50 pcs



20Watts
Color Black
ABS Housing Material

DIMENSIONS

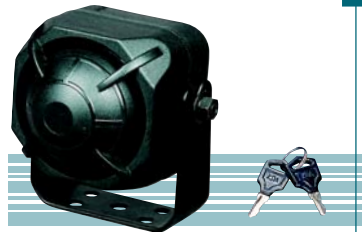


all dimensions are in mm

* Value applying at rated voltage

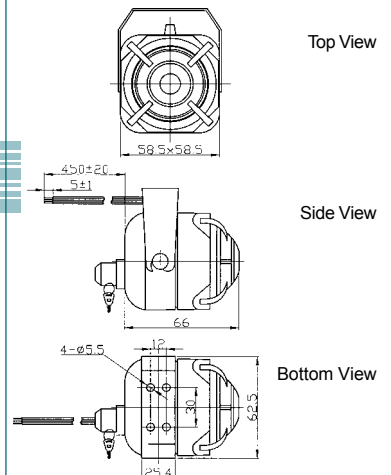
ES-59UB SERIES BATTERY BACKUP

Model No	ES-59UB-20
Voice Coil Impedance	12 Ohm (at 1 KHz)
Voice Coil Dimen(Dia.)	∅ 25.4 mm
Magnet Size(Neo.)	24.5 x 3.5mm
Rated Voltage	12 VDC
Operating Voltage	6~15 VDC
S.P.L.	105dB at 12VDC/1m
Max. Current Draw	550 mA at 12VDC
Tone Nature	Warble or 6 Tone
Operating Temperature	-20~+60 ; ±
Weight	165 ; ±10g
N.W / G.W	8.5 / 9.5 Kgs
Meas / QTY	43.5 x 20 x 43.5cm / 50 pcs



20Watts
Color Black
ABS Housing Material

DIMENSIONS



all dimensions are in mm

* Value applying at rated voltage

ES-84UB SERIES BATTERY BACKUP

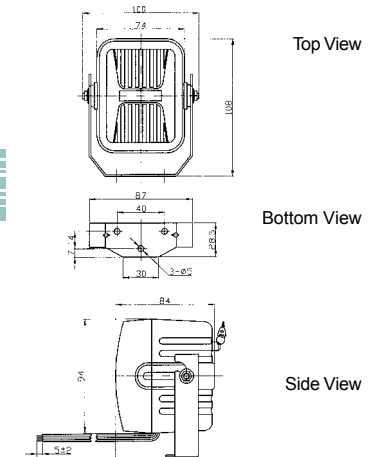
Model No	ES-84UB-20
Voice Coil Impedance	8 Ohm (at 1 KHz)
Voice Coil Dimen(Dia.)	∅ 25.4 mm
Magnet Size	60 x 32 x 10mm
Rated Voltage	12 VDC
Operating Voltage	6~14 VDC
S.P.L.	110 ; ±2 dB at 12VDC/1m
Max. Current Draw	1100 mA at 12VDC
Tone Nature	Warble or 6 Tone
Operating Temperature	-20~+60 ; ±
Weight	455 ; ±10g
N.W / G.W	23 / 24 Kgs
Meas / QTY	45 x 45 x 44cm / 50 pcs



20Watts
Color Black
ABS Housing Material

* 10 Watts/ 15 Watts/ 25 Watts Available

DIMENSIONS



all dimensions are in mm

* Value applying at rated voltage

Ningbo DSW Electronics Co.,Ltd

Tel: (+86)-574-87284513 Fax: (+86)-574-87264906 Http://www.DSWbrand.com E-mail: sales@dswbrand.com

The information contained herein is believed to be correct, but no guarantee for accuracy, completeness DSW Electronics Ltd. reserves the right to make changes without notification.

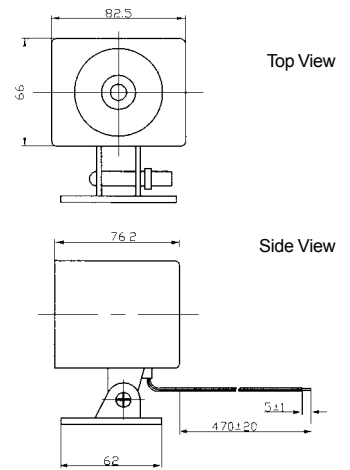
EH-66S SERIES HORN SPEAKER

Model No	EH-66S-6
Impedance	6 Ohm (at 1 KHz)
Voice Coil Dia.	Ø25.4mm
Magnet Size	60 x 32 x 10mm
Resonant Freq.	Fo. 1.5KHz ; ±10%
Power Rating	15W RMS
Freq.Resp.	200~10000Hz
S.P.L.	90 ; ±2dB/W/M
Operating Temp.	-20~+60 ; æ
Weight	360g ; ±10g
N.W / G.W	11 / 12 Kgs
Meas / QTY	34 x 22 x 27cm / 30 pcs



Color Black
ABS Housing Material
* 8 Ohm or 16 Ohm Available

DIMENSIONS



all dimensions are in mm

* Value applying at rated voltage

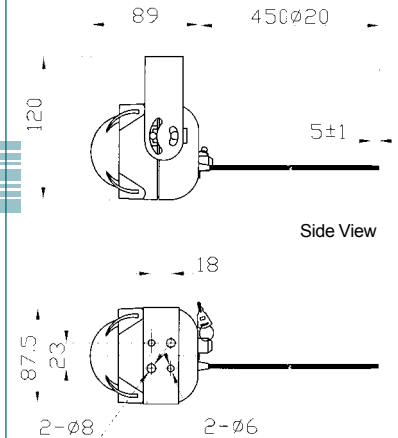
EH-88U SERIES HORN SPEAKER

Model No	EH-88U-6
Impedance	6 Ohm (at 1 KHz)
Voice Coil Dia.	Ø25.4mm
Magnet Size	60 x 32 x 10mm
Resonant Freq.	Fo. 1.5KHz ; ±10%
Power Rating	15W RMS
Freq.Resp.	500~8000Hz
Min. S.P.L.	102 ; ±2dB/W/M
Operating Temp.	-20~+60 ; æ
Weight	370 ; ±10g
N.W / G.W	15 / 16 Kgs
Meas / QTY	58 x 23 x 30cm / 30 pcs



Color Black
ABS Housing Material
* 8 Ohm or 16 Ohm Available

DIMENSIONS



all dimensions are in mm

* Value applying at rated voltage

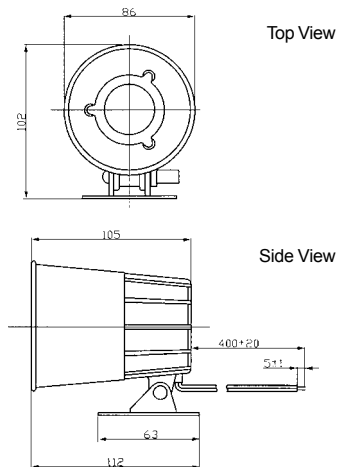
EH-86T SERIES HORN SPEAKER

Model No	EH-86T-8	EH-86T-6
Impedance	8 Ohm (at 1 KHz)	6 Ohm (at 1 KHz)
Voice Coil Dia.	Ø25.4mm	Ø25.4mm
Magnet Size	60 x 32 x 10mm	60 x 32 x 10mm
Resonant Freq.	Fo. 1.5KHz ; ±10%	Fo. 1.5KHz ; ±10%
Power Rating	15W RMS	15W RMS
Freq.Resp.	500~8000Hz	500~8000Hz
Min. S.P.L.	88dB/ W/ M	98dB/ W/ M
Operating Temp.	-20~+60 ; æ	-20~+60 ; æ
Weight	360 ; ±10g	360 ; ±10g
N.W / G.W	18 / 19 Kgs	18 / 19 Kgs
Meas / QTY	55 x 23 x 46cm / 50 pcs	55 x 23 x 46cm / 50 pcs



Color Black
ABS Housing Material
* 16 Ohm Available

DIMENSIONS



all dimensions are in mm

* Value applying at rated voltage

EH-110S SERIES HORN SPEAKER

Model No EH-110S6-12V

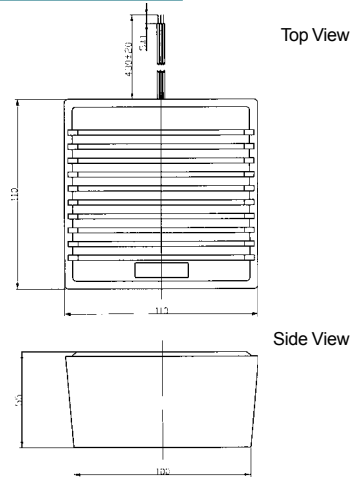
Impedance	6 Ohm (at 1 KHz)
Voice Coil Dia.	Ø19.45mm
Magnet Size	60 x 32 x 10mm
Resonant Freq.	Fo. 500Hz ; ±10%
Power Rating	15W RMS
Freq.Resp.	500~8000Hz
S.P.L.	95 ; ±3dB/W/M
Operating Temp.	-20~+60 ; æ
Weight	379g ; ±10g
N.W / G.W	19 / 20 Kgs
Meas / QTY	32.5 x 25 x 38cm / 30 pcs



Color White
ABS Housing Material

* 8 Ohm or 16 Ohm Available

DIMENSIONS



all dimensions are in mm

* Value applying at rated voltage

EH-133T SERIES HORN SPEAKER



Model No EH-133T-8

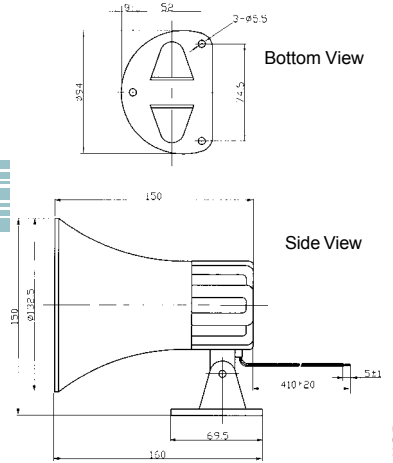
Impedance	8 Ohm (at 1 KHz)
Voice Coil Dia.	Ø25.4mm
Magnet Size	60 x 32 x 10mm
Resonant Freq.	Fo. 1.5KHz ; ±10%
Power Rating	15W RMS
Freq.Resp.	500~8000Hz
S.P.L.	90 ; ±2dB/W/M
Operating Temp.	-20~+60 ; æ
Weight	365g ; ±10g
N.W / G.W	7.5 / 8.5 Kgs
Meas / QTY	68 x 28 x 35cm / 20 pcs



Color Black
ABS Housing Material

* 6 Ohm or 16 Ohm Available

DIMENSIONS



all dimensions are in mm

* Value applying at rated voltage

EH-200R SERIES HORN SPEAKER

Model No EH-200R-8

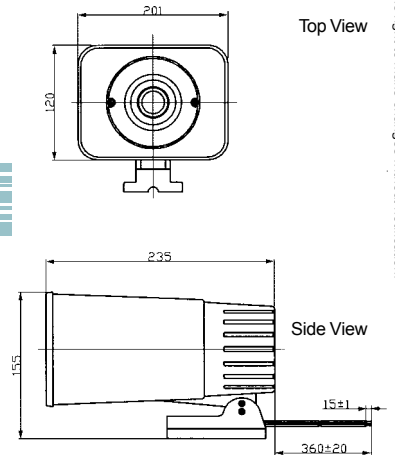
Impedance	8 Ohm (at 1 KHz)
Voice Coil Dia.	Ø33mm
Magnet Size	80 x 40 x 12mm
Resonant Freq.	Fo. 1.5KHz ; ±10%
Power Rating	20W RMS
Freq.Resp.	800~8000Hz
S.P.L.	102 ; ±2dB/W/M
Operating Temp.	-20~+60 ; æ
Weight	1050g ; ±10g
N.W / G.W	13 / 14 Kgs
Meas / QTY	50 x 42.5 x 49cm / 12 pcs



Color White
ABS Housing Material

* 16 Ohm Available

DIMENSIONS



all dimensions are in mm

* Value applying at rated voltage

The information contained herein is believed to be correct, but no guarantee for accuracy, completeness, DSW Electronics Ltd. reserves the right to make changes without notification.

EH-91T SERIES HORN SPEAKER

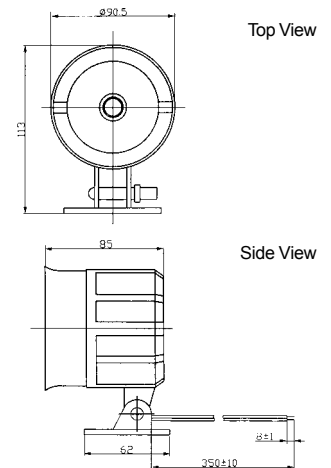
Model No	EH-91T-6
Impedance	6 Ohm (at 1 KHz)
Voice Coil Dia.	∅25.4mm
Magnet Size	60 x 32 x 10mm
Resonant Freq.	Fo. 500Hz ; ±10%
Power Rating	10W RMS
Freq.Resp.	500~8000Hz
Min. S.P.L.	102dB/ W/M
Operating Temp.	-20~+60 ; æ
Weight	350g ; ±10g
N.W / G.W	10.5/ 11.5 Kgs
Meas / QTY	58 x 23 x 30cm / 30 pcs



Color Black
ABS Housing Material

* 8 Ohm or 16 Ohm Available

DIMENSIONS



all dimensions are in mm

* Value applying at rated voltage

EH-135C SERIES HORN SPEAKER

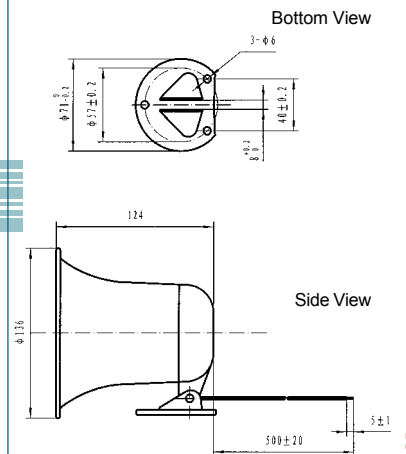
Model No	EH-135C-6
Impedance	6 Ohm (at 1 KHz)
Voice Coil Dia.	∅ 25.4mm
Magnet Size	60 x 32 x 10mm
Resonant Freq.	Fo. 1.5KHz ; ±10%
Power Rating	15W RMS
Freq.Resp.	350~7000Hz
Min. S.P.L.	90dB/W/M
Operating Temp.	-20~+60 ; æ
Weight	360g ; ±10g
N.W / G.W	13.5/ 14.5 Kgs
Meas / QTY	73 x 43.8 x 29.2cm / 30 pcs



Color White
ABS Housing Material

* 8 Ohm or 16 Ohm Available

DIMENSIONS



all dimensions are in mm

* Value applying at rated voltage

EH-51AL SERIES HORN SPEAKER

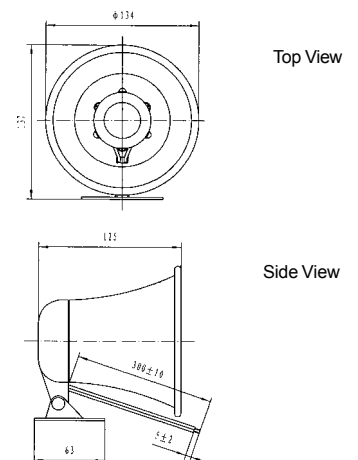
Model No	EH-51AL-8
Impedance	8 Ohm (at 1 KHz)
Voice Coil Dia.	∅25.4MM
Magnet Size	60 x 32 x 10MM
Resonant Freq.	Fo. 1.5KHz ; ±10%
Power Rating	10W RMS
Freq.Resp.	400~7000Hz
Min. S.P.L.	104dB/W/M
Operating Temp.	-20~+60 ; æ
Weight	445 ; ±10g
N.W / G.W	11/ 12 Kgs
Meas / QTY	73 x 43.8 x 29.2cm / 30 pcs



Color golden
AL Housing Material

* 8 Ohm or 16 Ohm Available

DIMENSIONS



all dimensions are in mm

* Value applying at rated voltage

The information contained herein is believed to be correct, but no guarantee for accuracy, completeness, DSW Electronics Ltd. reserves the right to make changes without notification.

EH-102T SERIES ELECTRONIC SIREN

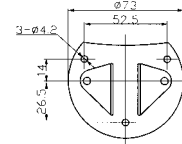


DIMENSIONS

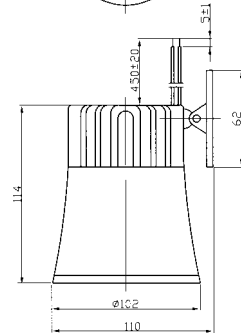
Model No	EH-102T-8
Impedance	8 Ohm (at 1 KHz)
Voice Coil Dia.	∅ 25.4mm
Magnet Size	60 x 32 x 10mm
Resonant Freq.	Fo. 1.5KHz ; ±10%
Power Rating	15W RMS
Freq.Resp.	800~8000Hz
Min. S.P.L.	90dB/W/M
Operating Temp.	-20~+60 ; ±
Weight	360g ; ±10g
N.W / G.W	19.5 / 20.5 Kgs
Meas / QTY	54.5 x 23.5 x 46cm / 50 pcs



Color Black/White
ABS Housing Material
* 6Ohm ~ 16Ohm



Top View



Side View

all dimensions are in mm

* Value applying at rated voltage

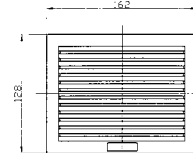
EH-162 SERIES HORN SPEAKER

DIMENSIONS

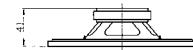
Model No	EH-162-8
Impedance	8 Ohm (at 1 KHz)
Voice Coil Dia.	∅ 20mm
Magnet Size	60 x 32 x 8mm
Resonant Freq.	Fo. 1.5KHz ; ±10%
Power Rating	10W RMS
Freq.Resp.	600~6000Hz
Min. S.P.L.	95 ; ±3dB/W/M
Operating Temp.	-20~+60 ; ±
Weight	344g ; ±10g
N.W / G.W	14 / 15 Kgs
Meas / QTY	55 x 25 x 35cm / 40 pcs



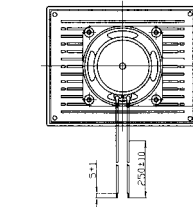
Color White, Black
ABS Housing Material



Top View



Side View



Bottom View

all dimensions are in mm

* Value applying at rated voltage

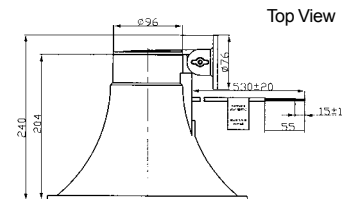
EH-280 SERIES ELECTRONIC HORN

DIMENSIONS

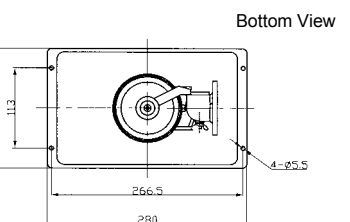
Model No	EH-280-8
Impedance	8 Ohm (at 1 KHz)
Voice Coil Dia.	∅ 38mm
Magnet Size	90 x 45 x 15mm
Resonant Freq.	Fo. 1.5KHz ; ±10%
Power Rating	30W RMS
Freq.Resp.	600~6000Hz
Min. S.P.L.	95 ; ±3dB/W/M
Operating Temp.	-20~+60 ; ±
Weight	344g ; ±10g
N.W / G.W	3 / 4 Kgs
Meas / QTY	47 x 35 x 59 / 8 pcs



Color White
ABS Housing Material



Top View



Bottom View

all dimensions are in mm

* Value applying at rated voltage

The information contained herein is believed to be correct, but no guarantee for accuracy, completeness, DSW Electronics Ltd. reserves the right to make changes without notification.