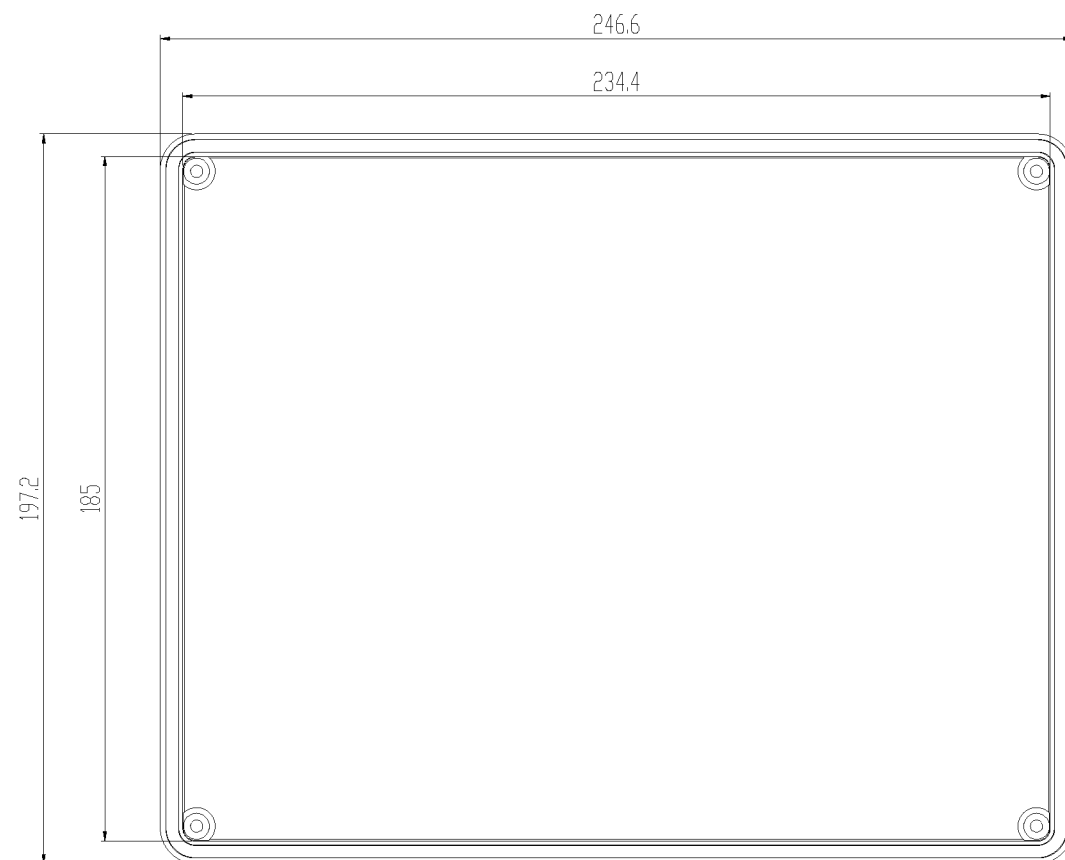
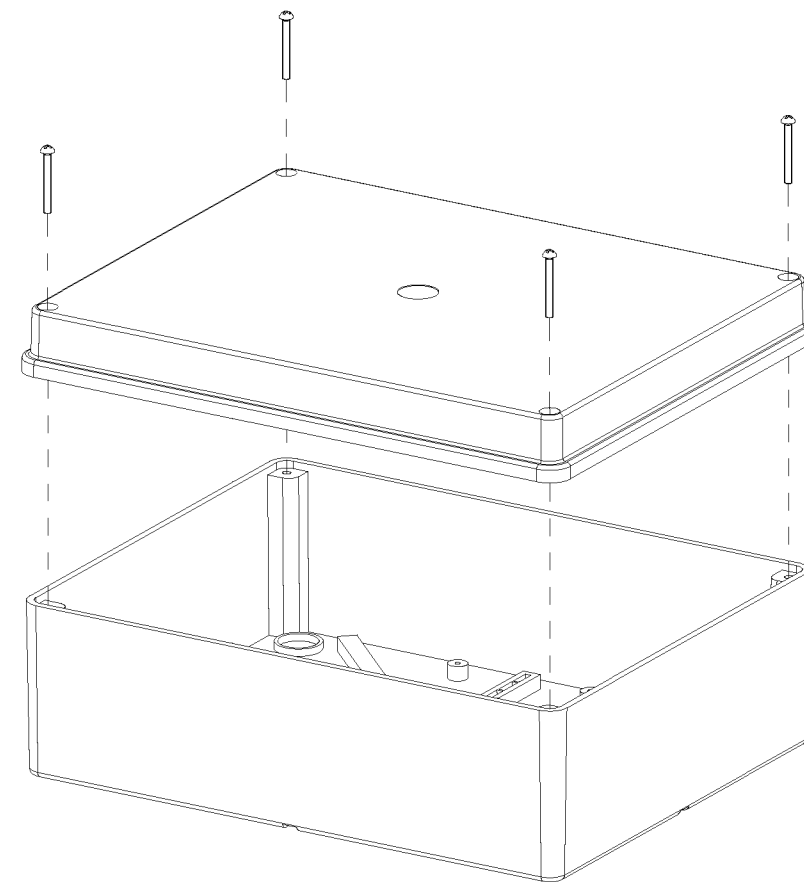


Side view of the assembly



Top view of the cover



All dimensions are millimeter Use dimensions only ,do not scale	
Projection type	
Product No.	10-53
Drawing	

**DSW**<sup>®</sup>