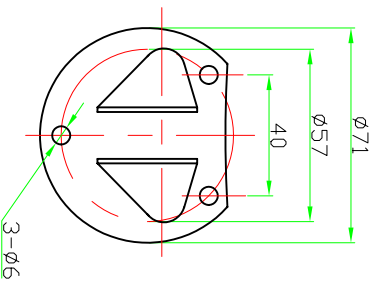
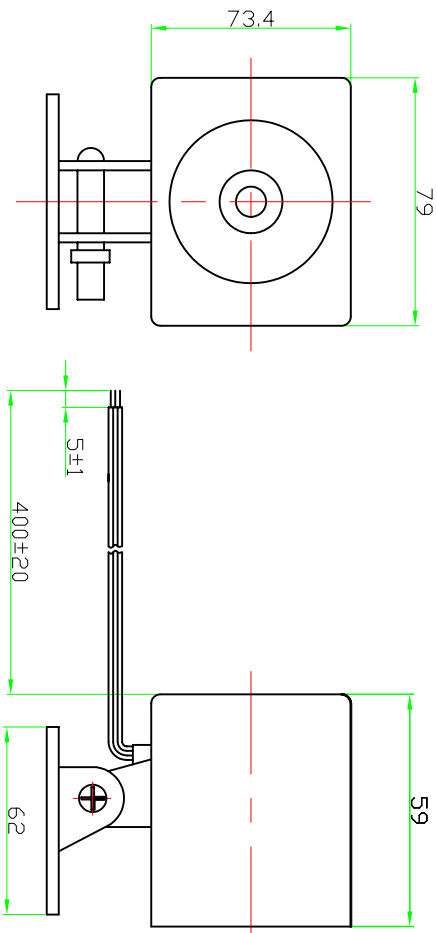


Specification

(Test Condition, 25°C)



1. Housing Material/ Color..... ABS / Black
2. Voice Coil Impedance 80hm (at 1 KHz)
3. Voice Coil Dimension Ø 25.4 mm(Dia.)
4. Magnet Size Ø60*32*10 mm(Dia.* dia.*H)
5. Power Rating RMS 10 W
6. Power Rating Peak 15 W
7. Rated Voltage 12 VDC
8. Range Voltage 6 --15 VDC
9. S.P.L. 106±2 dB(at 1 meter, 12VDC)
10. Tone Nature Warble/Continuous
11. Current Draw 550 mA Max. (at 12 VDC)
13. Load Test 8 Hours (at 12 VDC)
14. Heat Test 8 Hours (at 60°C)
15. Operating Temperature range -20 ~ +60°C
16. Wires Connection Red +12V (Warble)
 Yellow +12V(Continuous)
 White GND
17. Weight 495 ±10 g

No.		DESCRIPTION	APPROVED	DATE	DSW NINGBO DSW AUDIO & SECURITY EQUIPMENT http://www.dswbrand.com	
DESIGNER						
DRAWN						
CHECKED						
APPROVED						
DATE		04.01.17				
UNIT		mm				
SCALE		NOT TO SCALE				
SHEET		E1.840.011				
VER		1.0				