

1 2 3 4 5 6 7 8

A

A

B

B

C

C

D

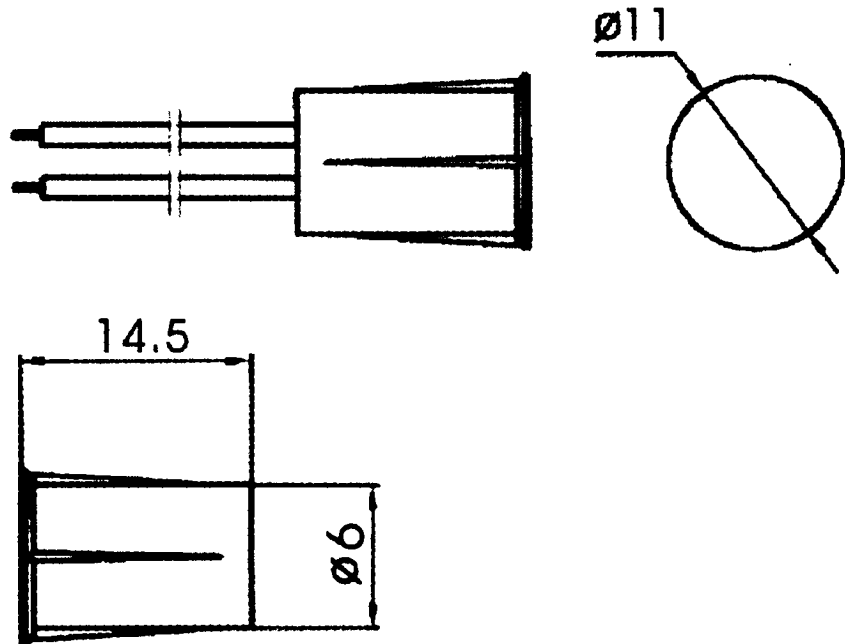
D

E

E

F

F



Specification:

- GAP: 3/8"
- SIZE: 3/8" x 9/16" mini - 10
- 22 AWG, 18" Length Min.
- Ideal for tight fit windows
- Good for thin door frames
- Excellent for security screens
- Long leads available
- Shorter than all stubby contacts
- Versatile
- White or Brown

			DSW NINGBO DSW AUDIO & SECURITY EQUIPMENT http://www.dswbrand.com		
			Magnetic Contacts		
No.	DESCRIPTION	APPROVED	DATE	MCR-1101	
<small>TOLERANCES UNLESS NOTED OTHERWISE</small> X ± XX ± XXX ± 90° FORMED ±2° ANGLES ±1° FIRST ANGLE PROJECTION		APPROVALS		DATE	UNIT
		DRAWN			mm
		CHECKED		DWG NO.	
		APPROVED		SCALE	SHEET
			04.01.16	NOT TO SCALE	VER 1.0

1 2 3 4 5 6 7 8